



CROCUS
TECHNOLOGY

Intelligence in Sensing™

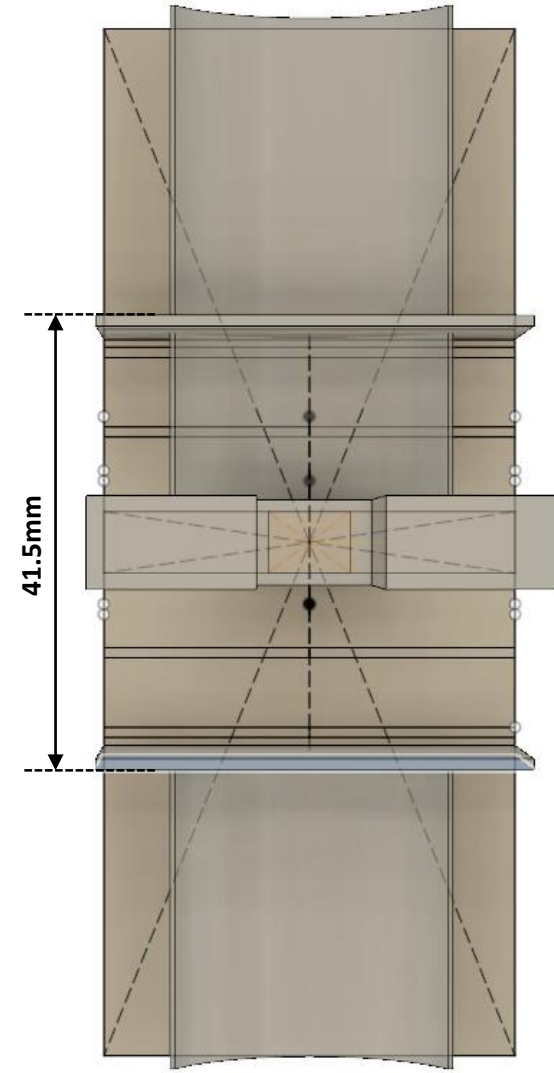
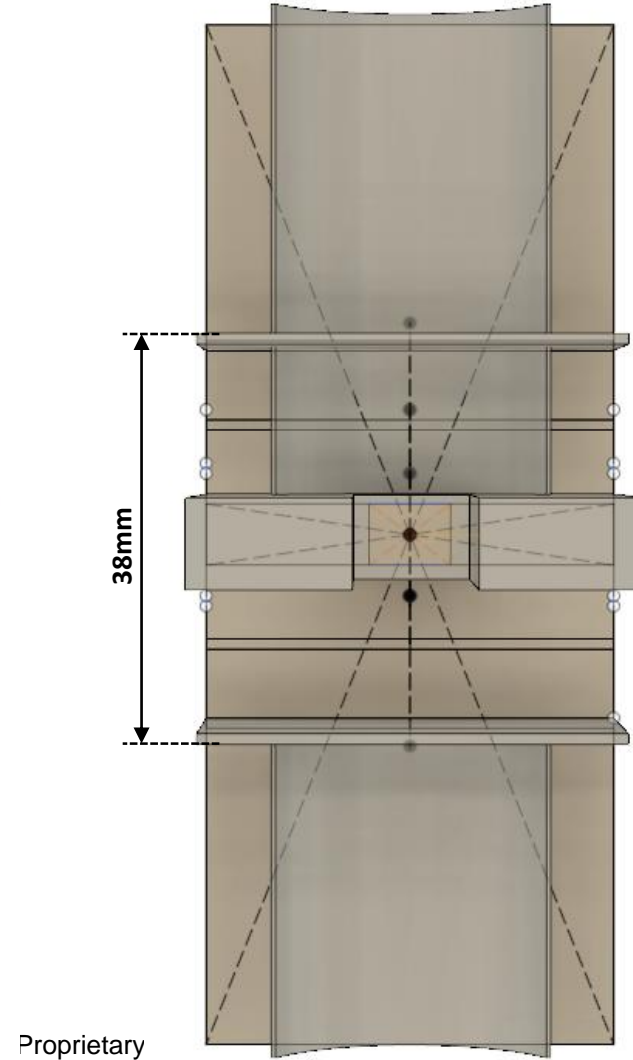
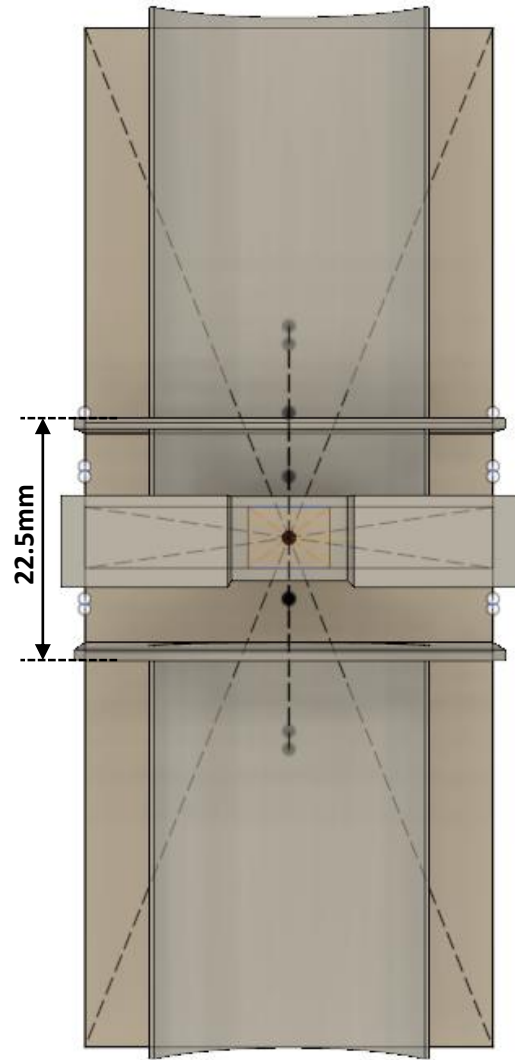
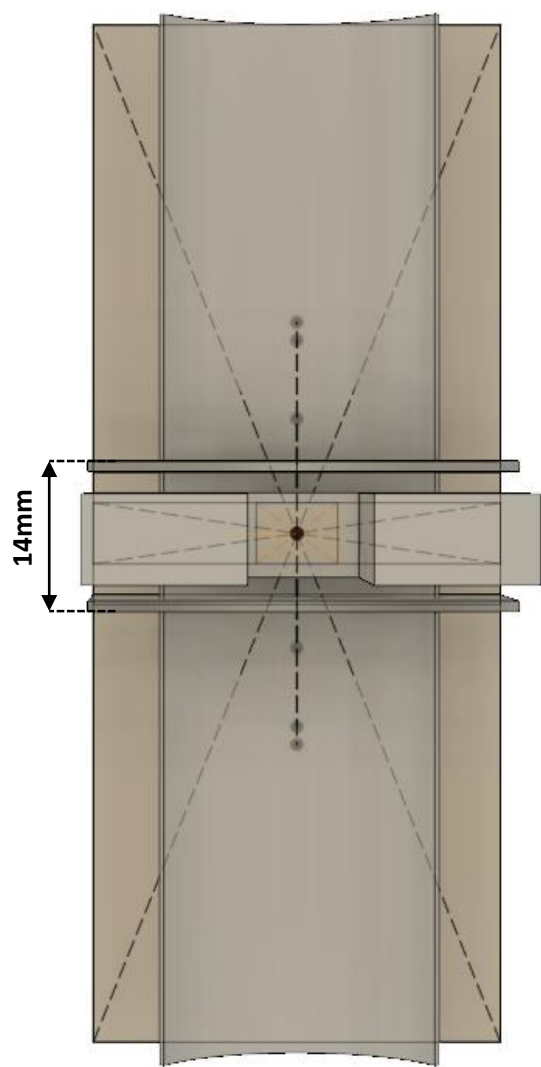
Plan pièce en dural

21.01.2019

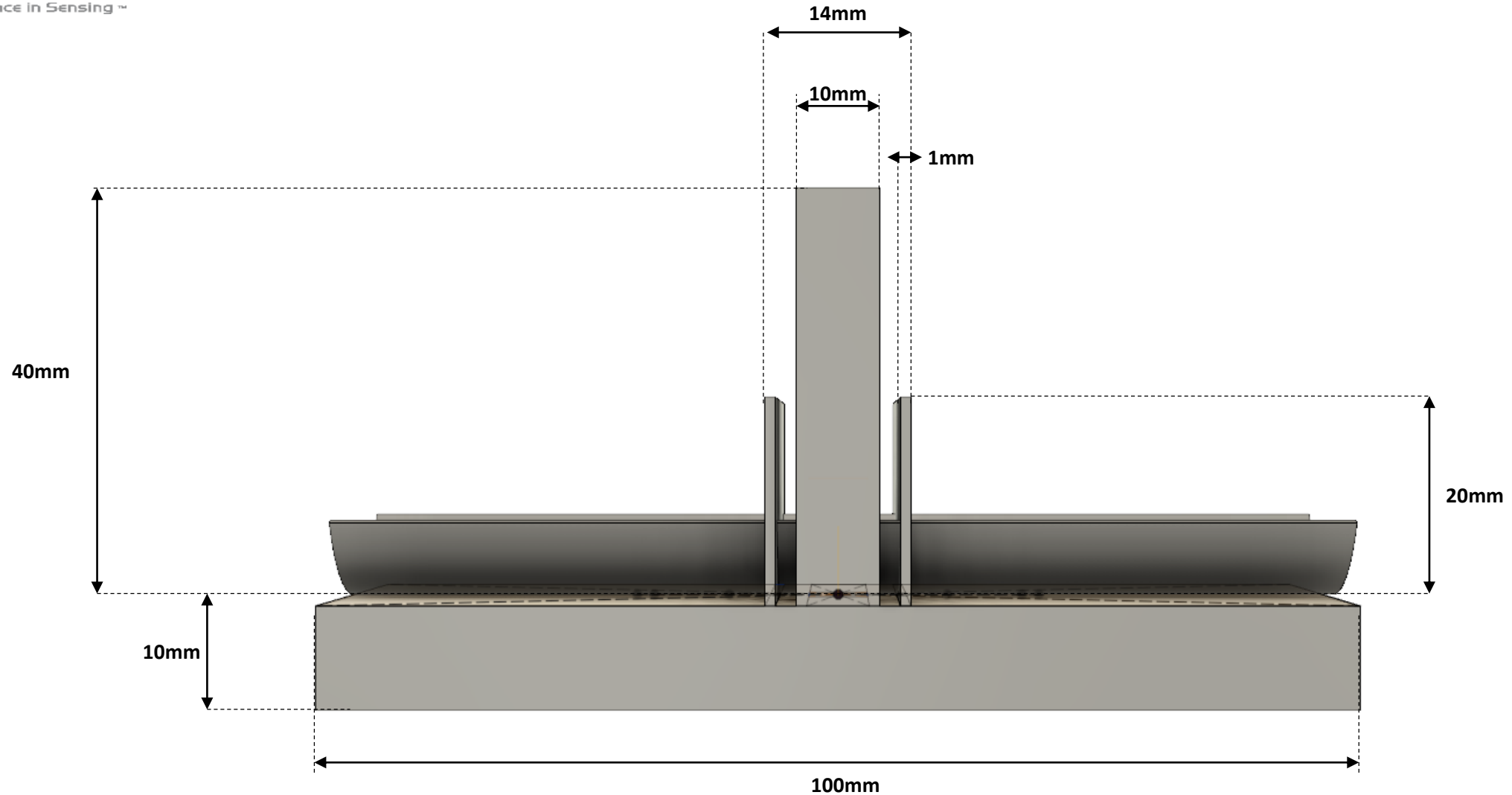
Romain Foissac

Pièce principale - Top view

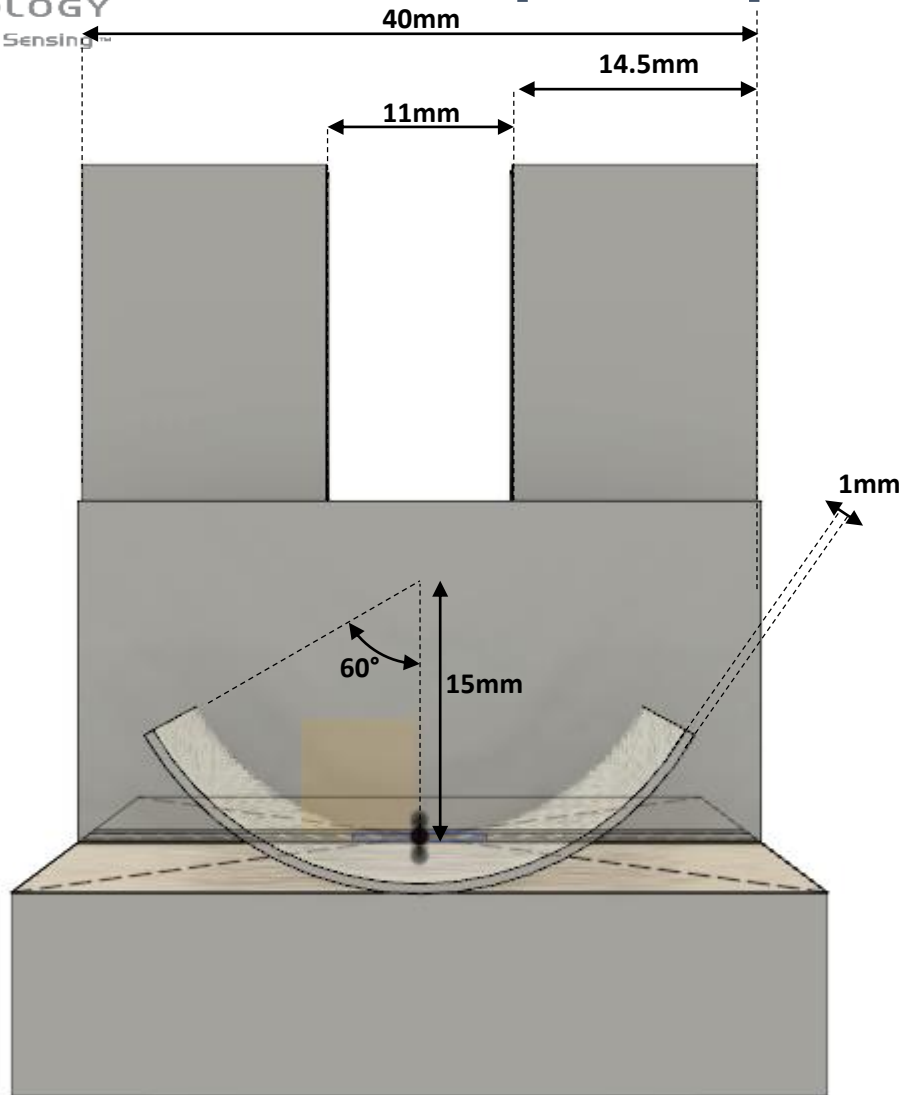
4 versions différentes



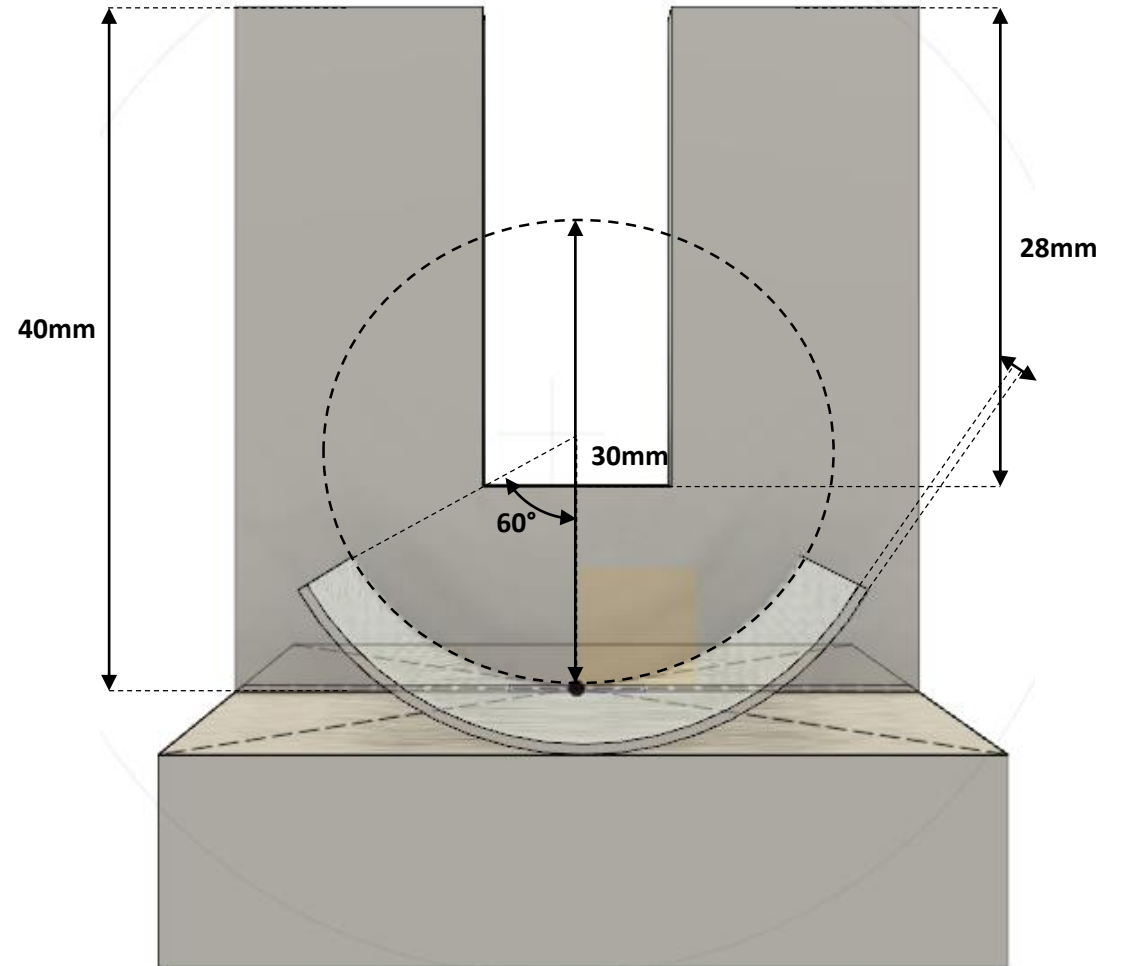
Pièce principale - Side view



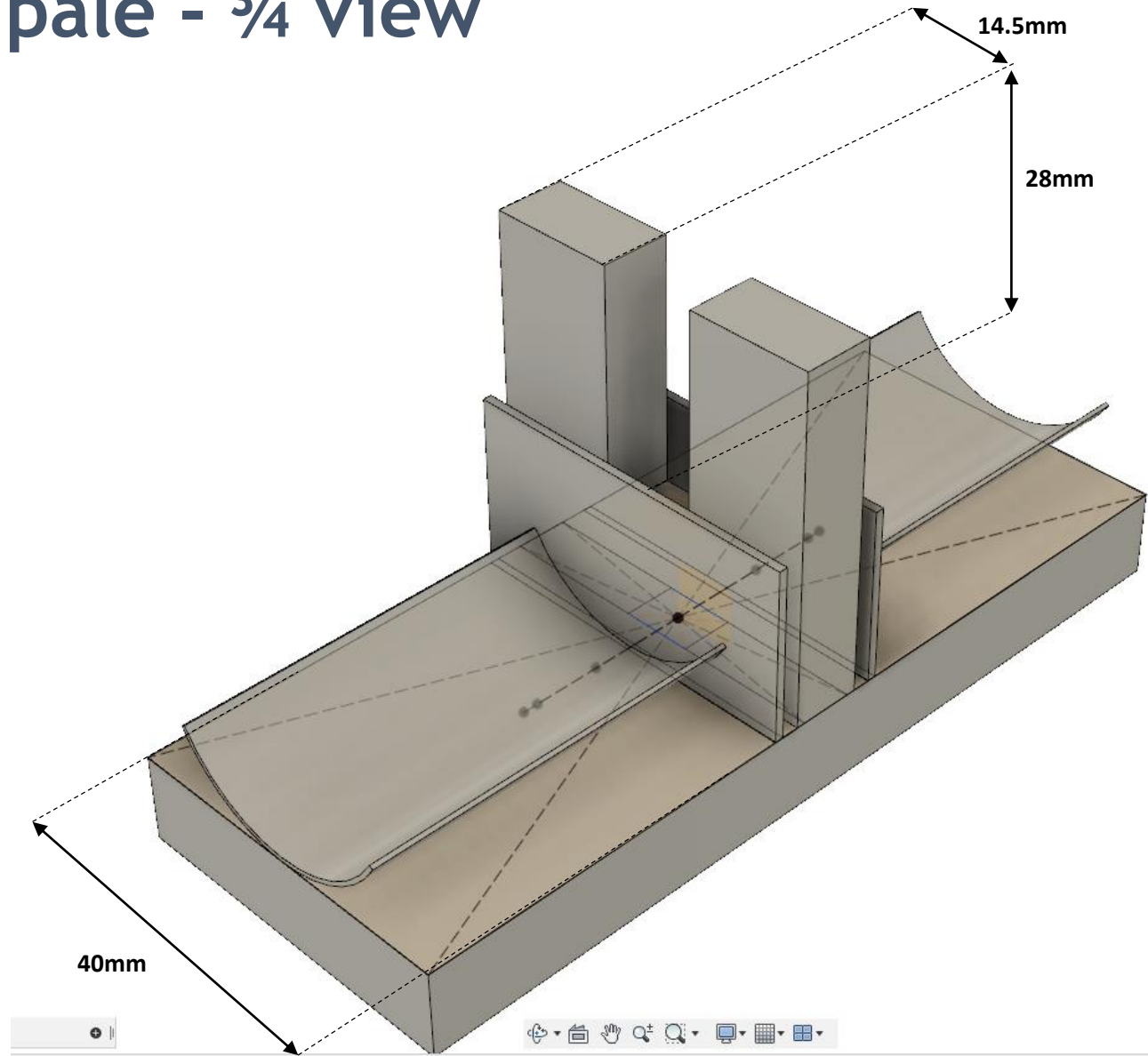
Pièce principale - Front view



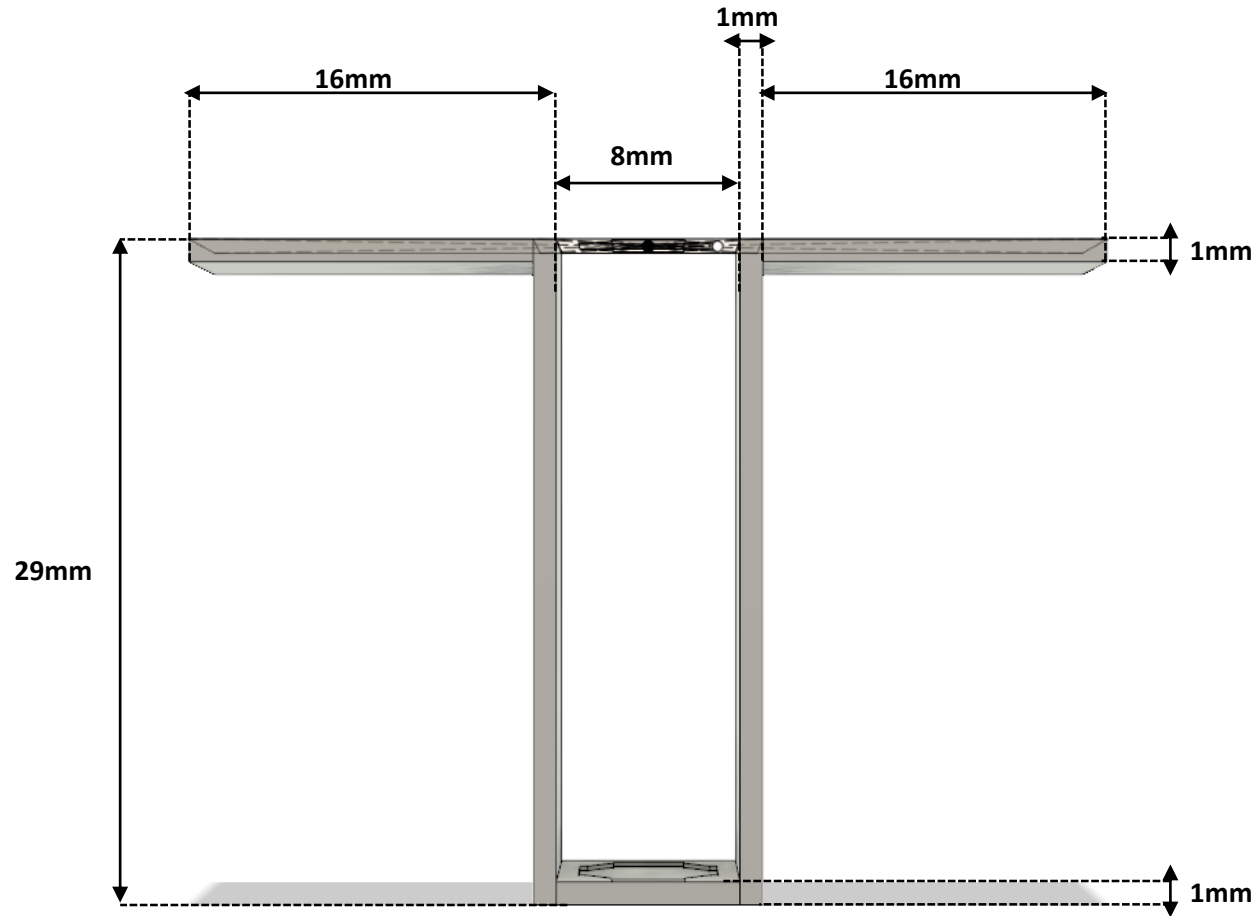
Plan sans les plaques vertical



Pièce principale - 3/4 view



Pièce 2 - Front view

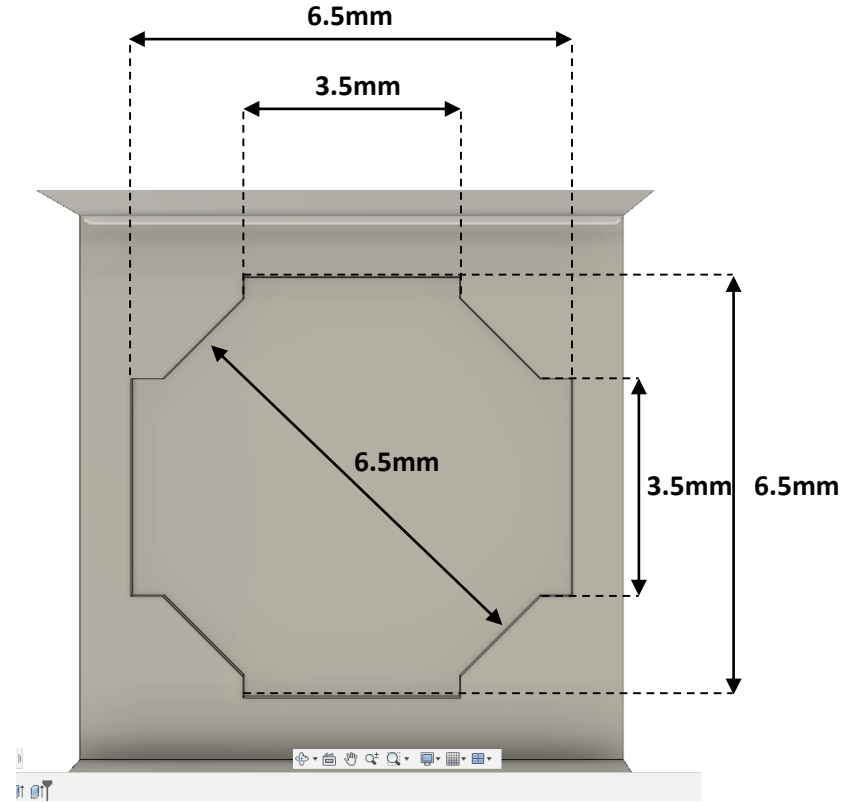
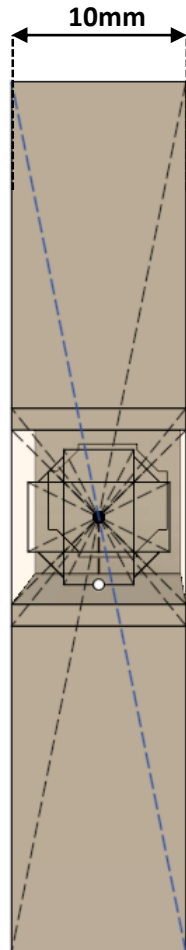


4 exemplaires

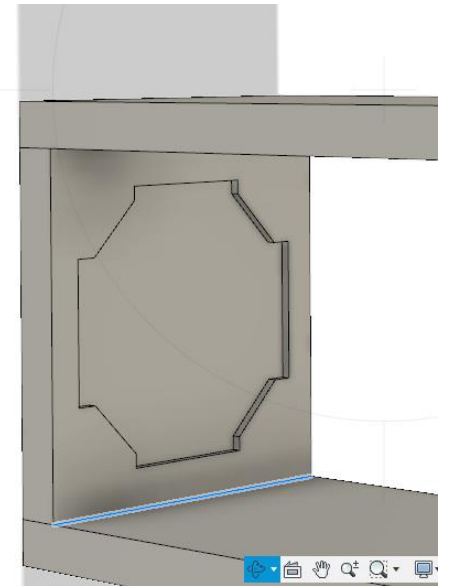
Pièce 2 - Top view

4 exemplaires

Zoom sur le fond de la pièce



Epaisseur de la gravure 0.2mm-0.5mm





DISCLAIMER:

The contents of this document are provided for informational purposes only. CROCUS TECHNOLOGY, INC. AND CROCUS TECHNOLOGY SA (COLLECTIVELY “CROCUS”) MAKE NO REPRESENTATIONS OR WARRANTY OF ANY KIND, EXPRESS OR IMPLIED, WITH RESPECT TO THE ACCURACY OR COMPLETENESS OF THE CONTENTS HEREIN, INCLUDING, BUT NOT LIMITED TO, THE IMPLIED WARRANTIES OF MERCHANTABILITY AND FITNESS FOR A PARTICULAR PURPOSE. Crocus reserves the right to make changes to the specifications and product descriptions, and/or to discontinue or make changes to its products at any time without notice. Crocus’s products have not been designed, tested, or manufactured for use and should not be used in applications where the failure, malfunction or inaccuracy of the Products carries a risk of death or serious bodily injury or damage to tangible property, including, but not limited to, life support systems, nuclear facilities, military, aircraft navigation or communication, emergency systems, harsh environments, or other applications with a similar degree of potential hazard.

ATTRIBUTION:

© 2017 Crocus Technology, Inc. and Crocus Technology SA. All rights reserved. Crocus Technology, Intelligence in Sensing, MLU, and combinations thereof are trademarks of Crocus Technology, Inc. and Crocus Technology SA. Other names are for informational purposes only and may be trademarks of their respective owners.