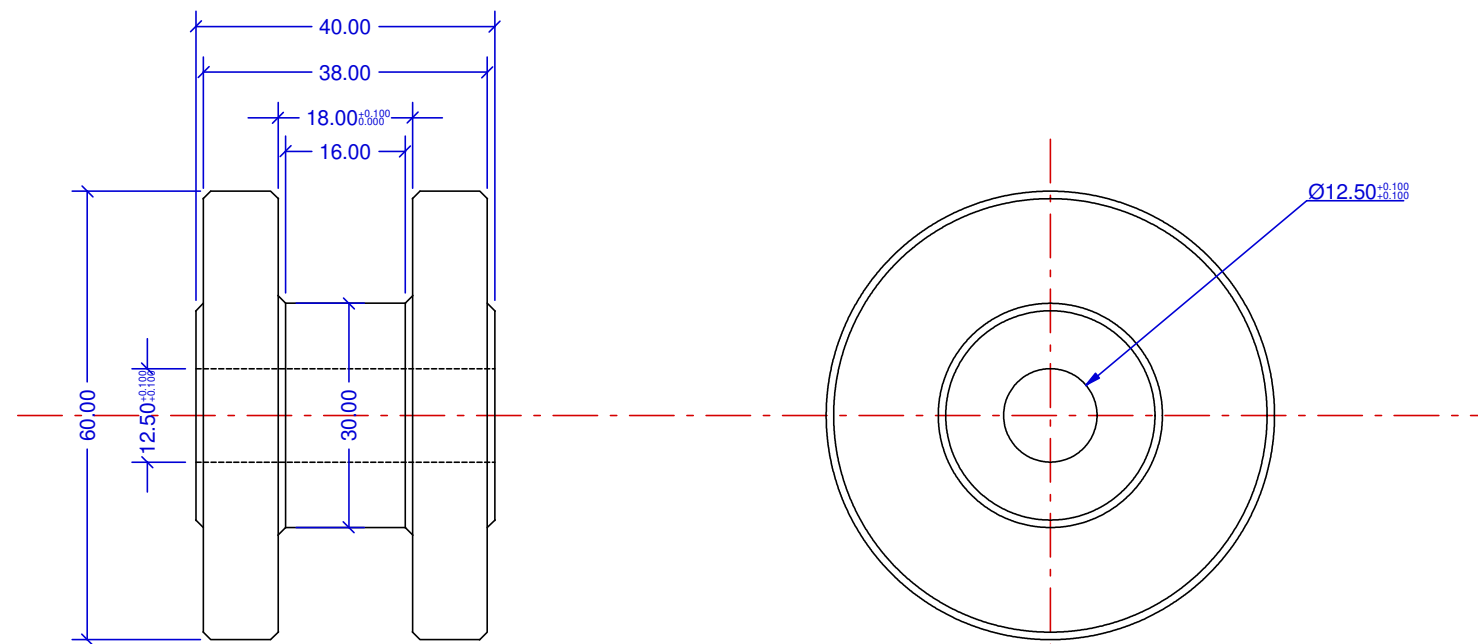
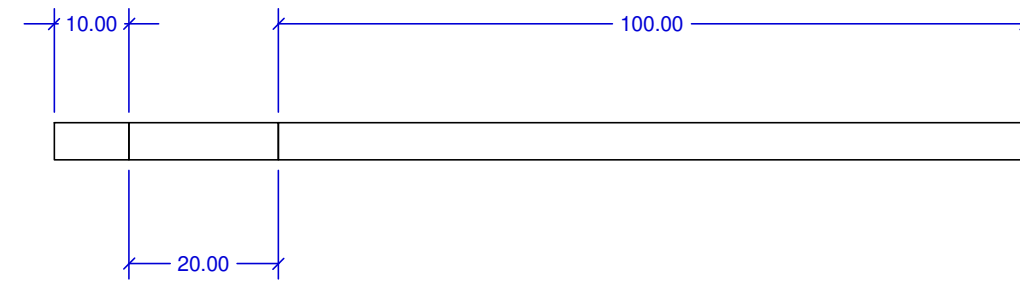


PIECE "A"  
QTE = 1



PIECE "B"  
QTE = 2