

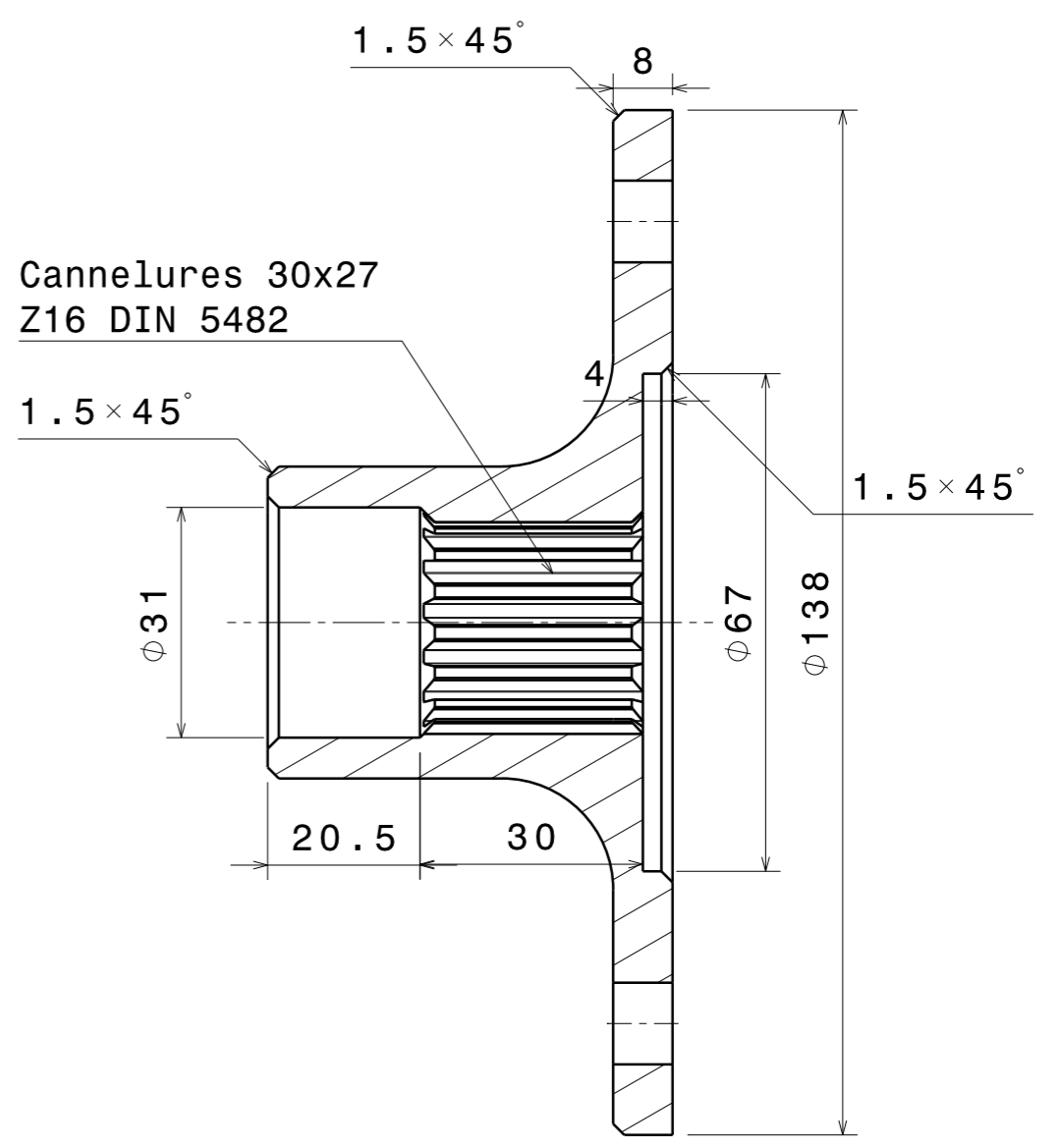
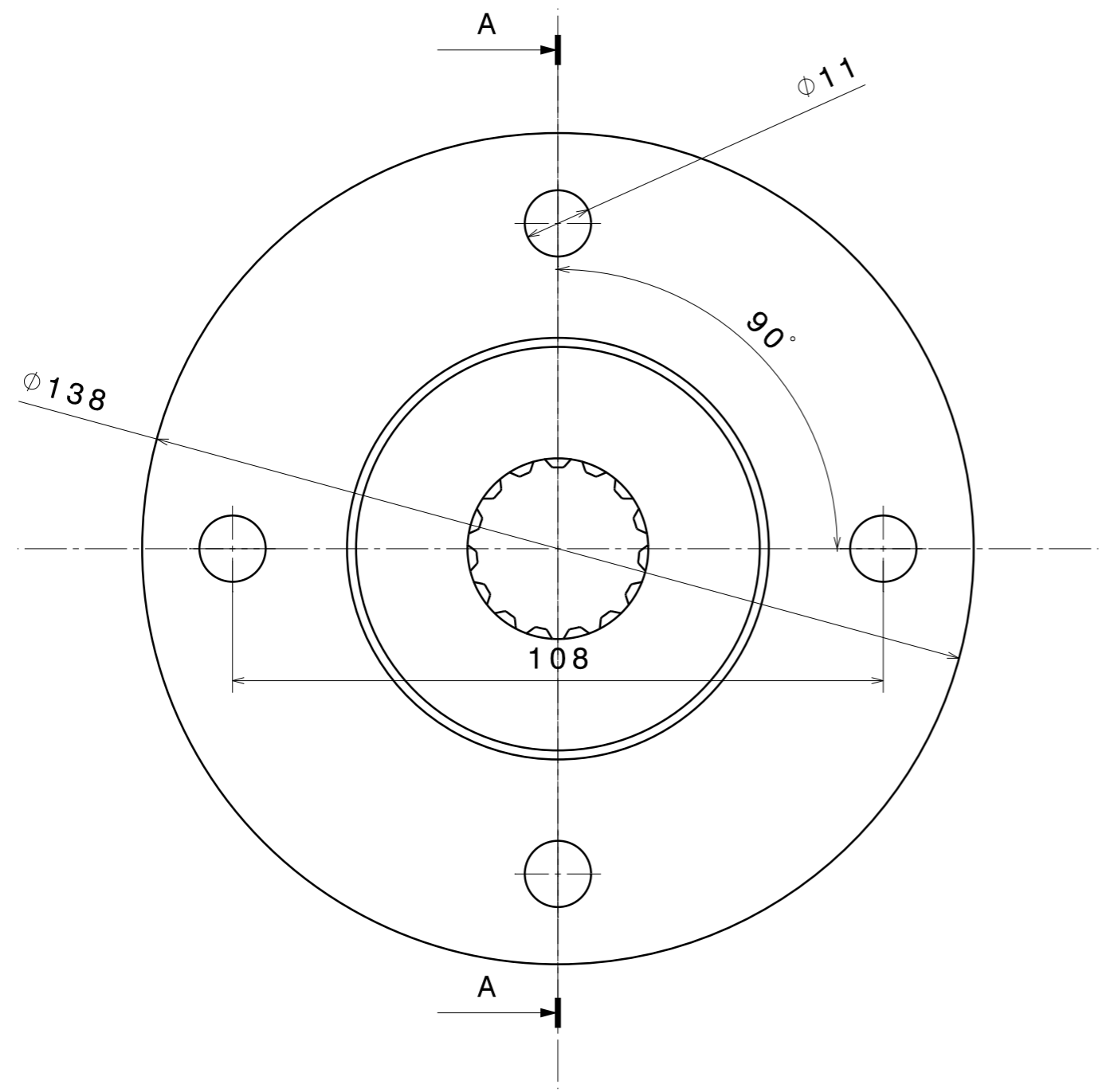
H G F E D C B A

4

3

2

1



Cannelures 30x27
Z16 DIN 5482

Coupe A-A
Echelle : 1:1

| | | | | | |
|--|--------------------|------------------------------|---------------------------------|---------------------|-----------------|
| This drawing is our property. It can't be reproduced or communicated without our written agreement. | | CARWATT | | | |
| | | DRAWING TITLE | | | |
| | | Interface Motor-Shaft | | | |
| DRAWN BY MHN | DATE 31/10/2018 | SIZE A3 | DRAWING NUMBER I - FC | | REV X |
| CHECKED BY XXX | DATE xxx | SCALE 1:1 | WEIGHT (kg) 0,14 | SHEET 1/1 | |
| DESIGNED BY MHN | DATE 31/10/2018 | | | | |

H G B A