

F

E

D

C

B

A

4

4

3

3

2

2

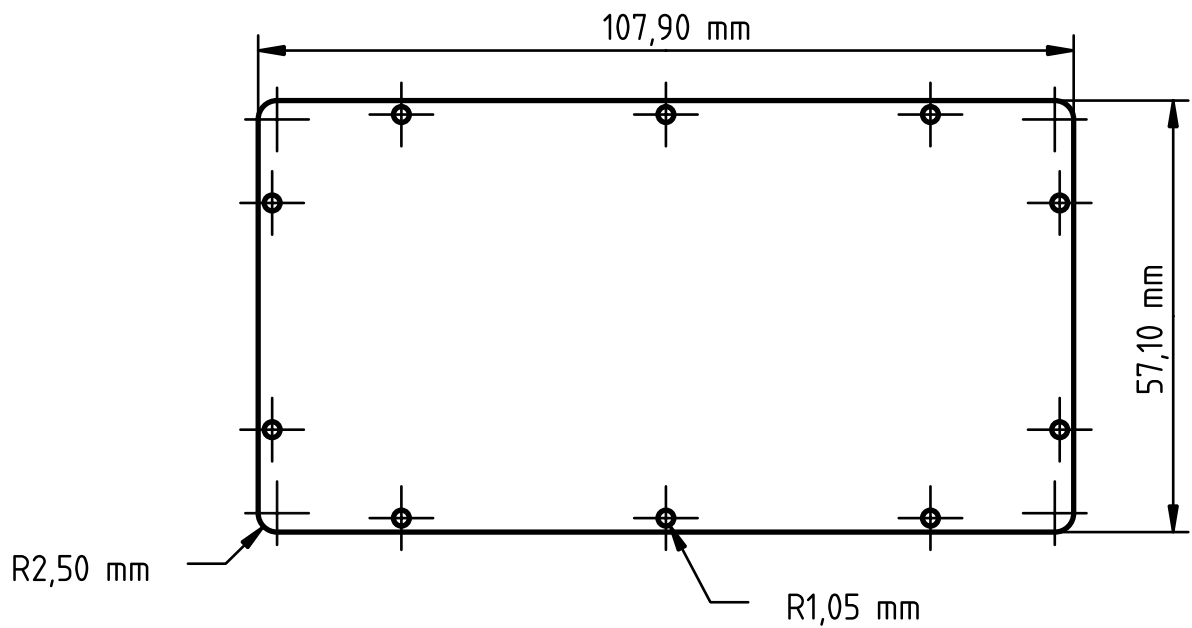
1

1

F

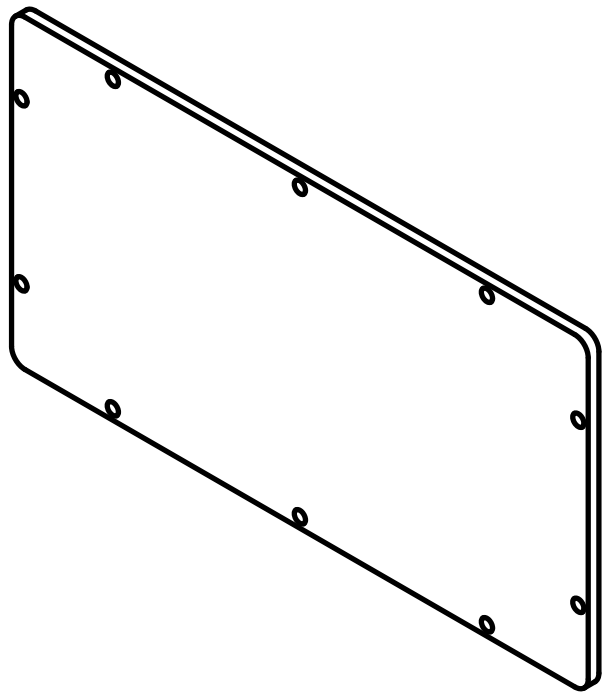
E

D



10 trous chanfreinés

Annotation
Chanfrein 90deg Dia 3mm



DESIGNED BY: F DJN		ZG4 - Capot		G	-
DATE: 29/08/2018		Alu - épaisseur 2mm		F	-
SIZE A4				E	-
				D	-
SCALE 1	WEIGHT (kg) /	DRAWING NUMBER ME18004	SHEET 1/1	C	-
This drawing is our property; it can't be reproduced or communicated without our written consent.				B	-
				A	-

