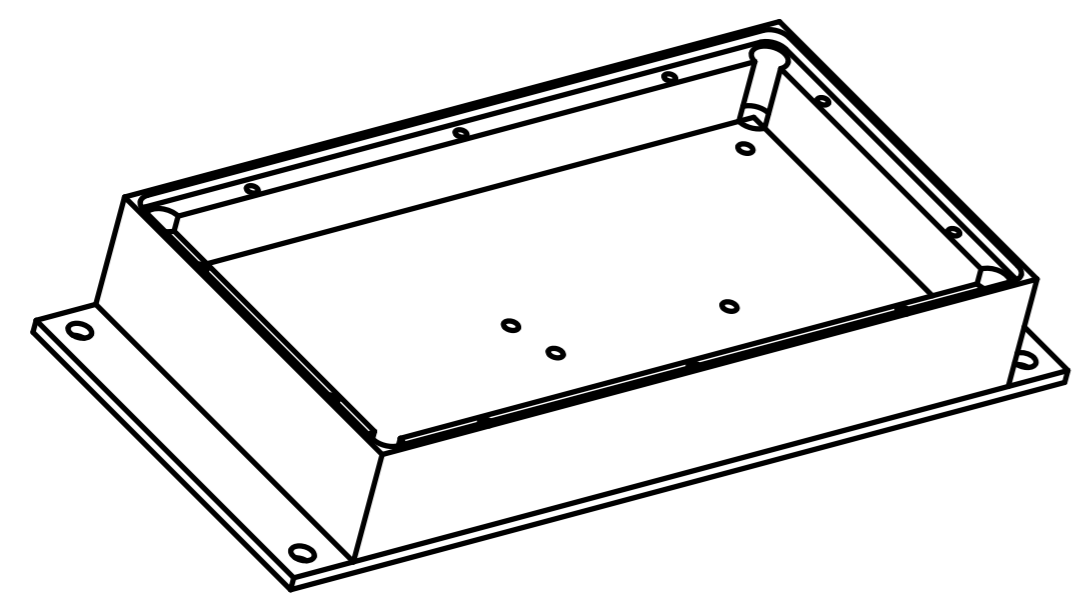
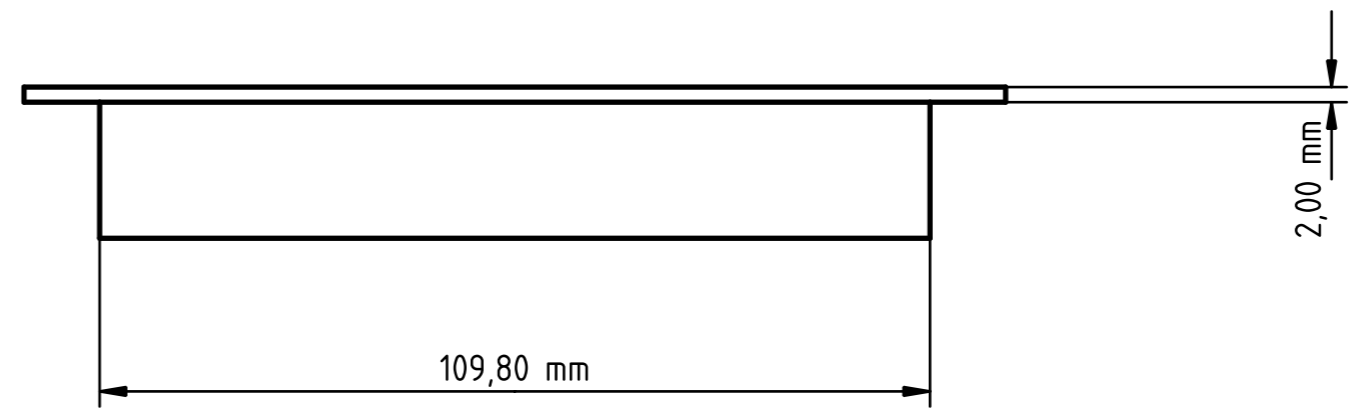


$\phi 1,60$ mm
 Taraudaqe: 10 x M2 profondeur 50mm



Created by: F DJN		Title: ZG4		
Supplementary information: Alu		Size: A2	Sheet: 1 / 1	Scale: 1
		Part number:		
		Drawing number: ME18003		
		Date: 30/08/2018	Revision: REV A	

