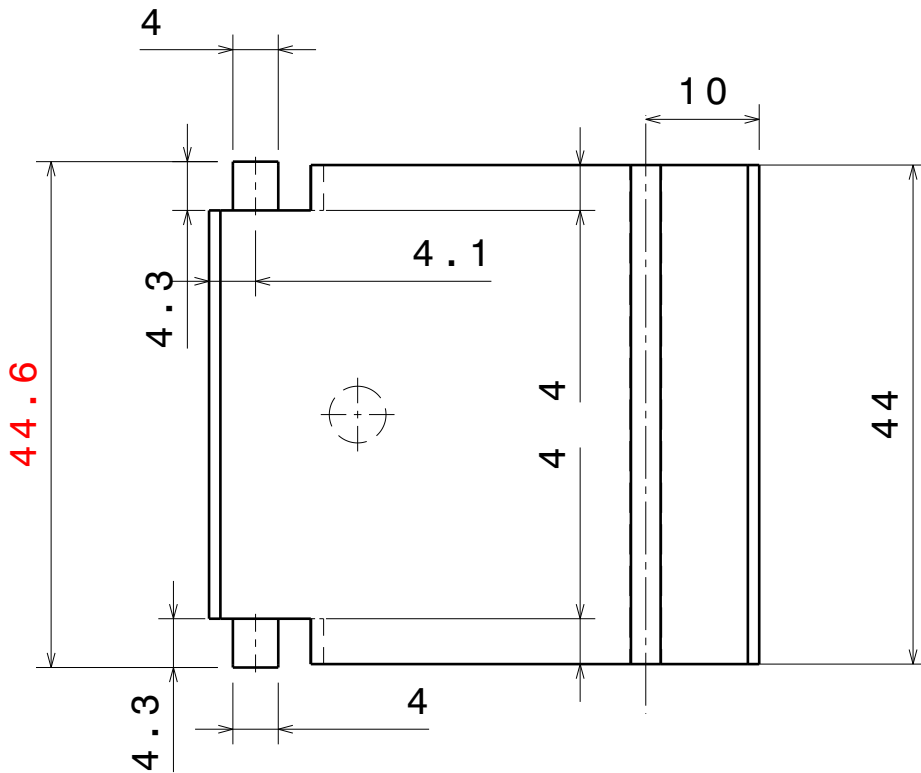


5 Chanfreins: 1x45°



1 piece

Acier

Tolerance +/-0.1