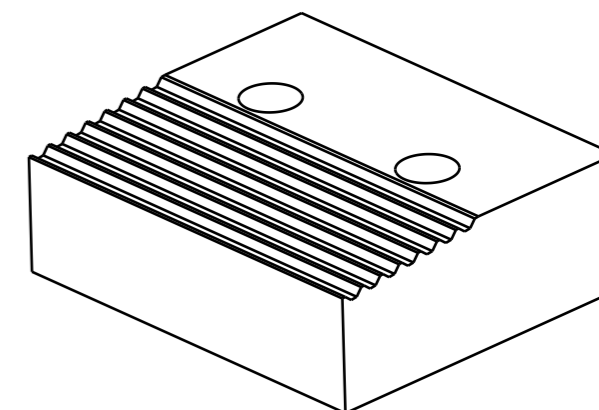


Vue isométrique
Echelle : 1:1



Commentaires :

<p>VIEW ISO</p>	<p>3Dmicrotech microtechnical motion design</p>	<p>THIS DOCUMENT IS THE INTELLECTUAL PROPERTY OF 3D MICROTECH. 3D MICROTECH PROPRIETARY DATA.</p>
<p>Format: A3</p>	<p>REFERENCE PROJET : 18-003</p>	<p>REVISION</p> <p>-- 1</p>
<p>DRAWN BY: V.LACAZE</p>	<p>DESIGNATION : Bloc mobile</p>	
<p>DATE: 12/08/2018</p>	<p>MATERIAU : Plastique</p>	