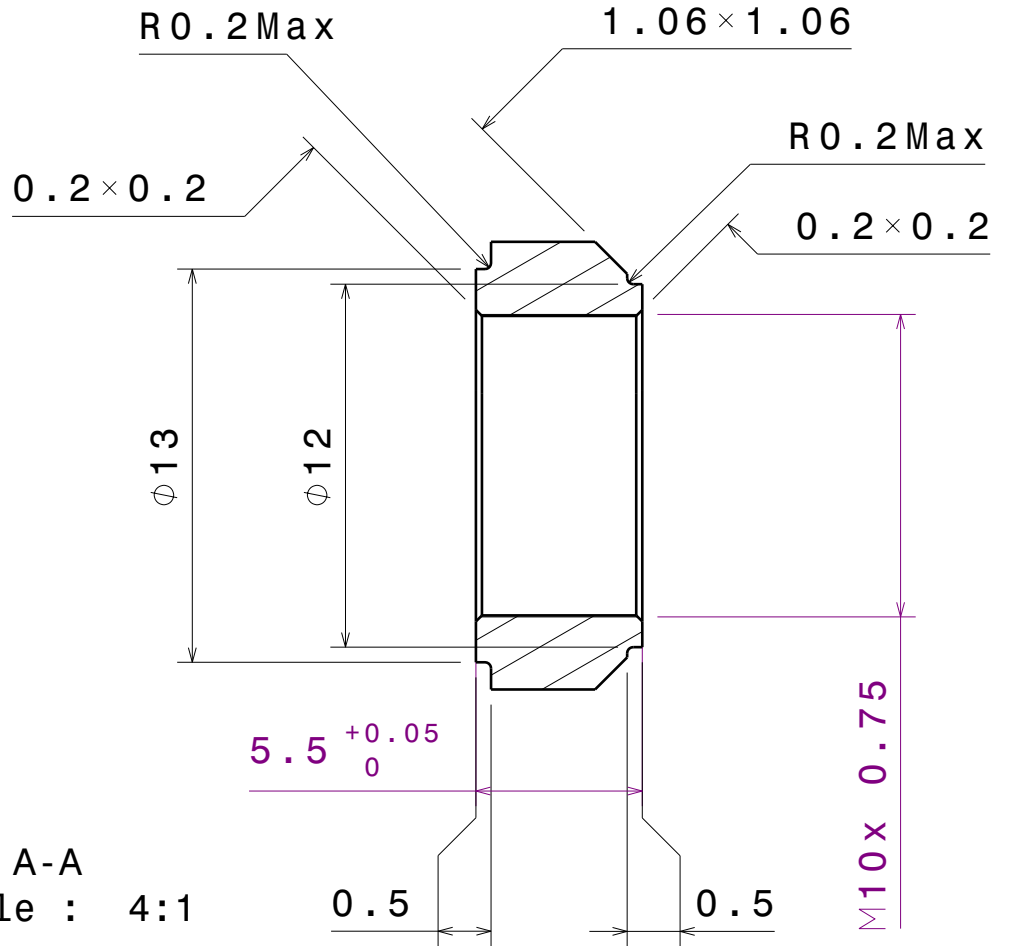
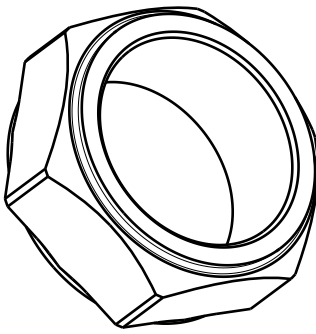


Vue de face
Echelle : 4:1



Coupe A-A
Echelle : 4:1

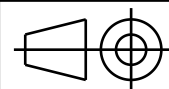


Vue isométrique
Echelle : 3:1

DESIGNED BY:
Godefroy FERRAND
DATE:
16/08/2018

Tolérance générale :
+/- 0.05

SIZE
A4



SCALE
1:1

Matière :
35 NCD 16

DRAWING NUMBER

PV3e ESTACA

Ecrou de came

SHEET
1/1

I	-
H	-
G	-
F	-
E	-
D	-
C	-
B	-
A	-

This drawing is our property; it can't be reproduced or communicated without our written agreement.