

D

C

B

A

4

4

3

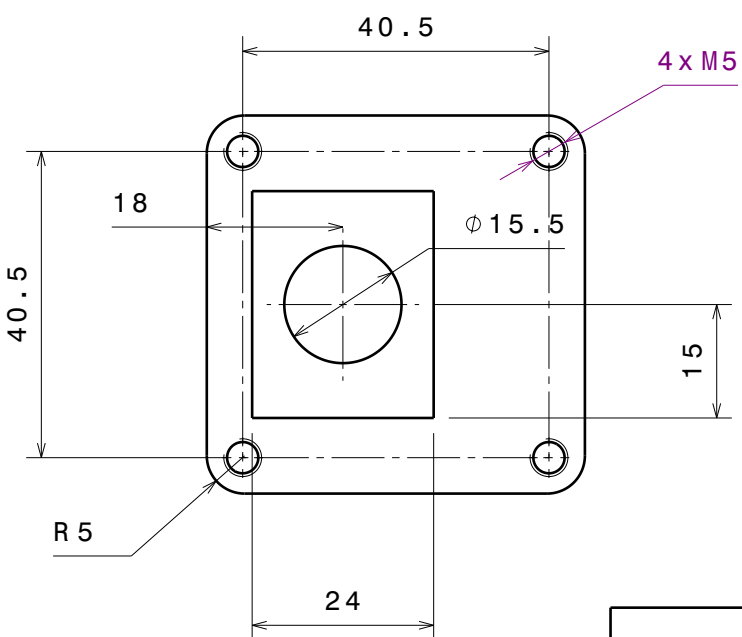
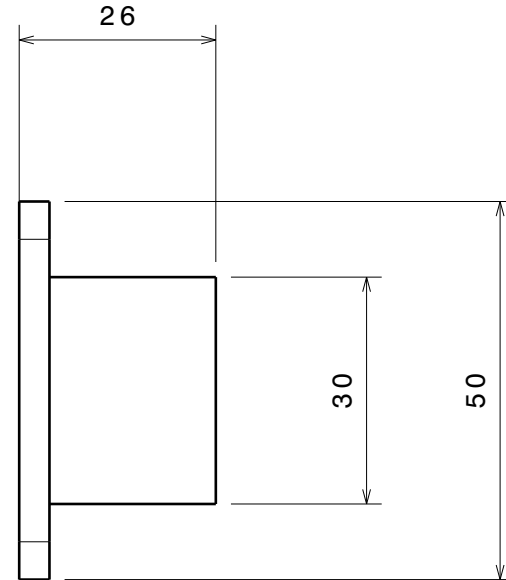
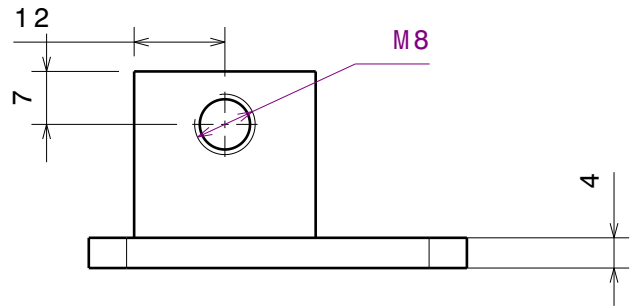
3

2

2

1

1



This drawing is iFollow property.
It can't be reproduced
or communicated without
our written agreement.

iFollow SAS

Tolérnce générales: ISO 2768 mK

DESIGNED BY		DATE		PART NAME					
Yannick Bottino		09/08/2018					PRT ECROU MOTEUR		
CHECKED BY		DATE		SIZE	PART NUMBER				
XXX		XXX		A4	02-14-0009		X		
MATERIAL		Quantity		SCALE	1:1	WEIGHT(kg)	0,02	SHEET	1/1
Acier S235		2							

D

A