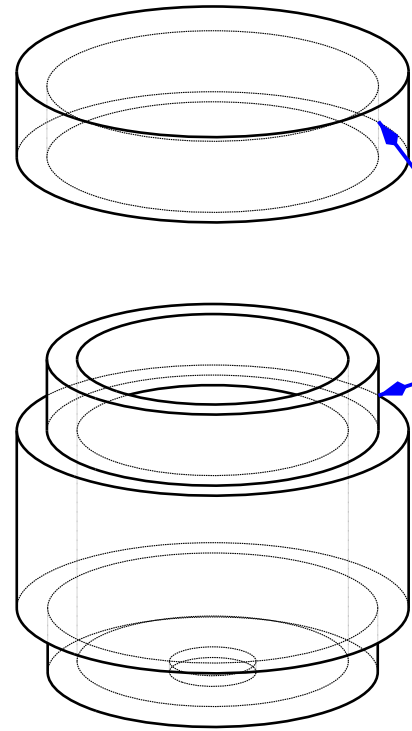
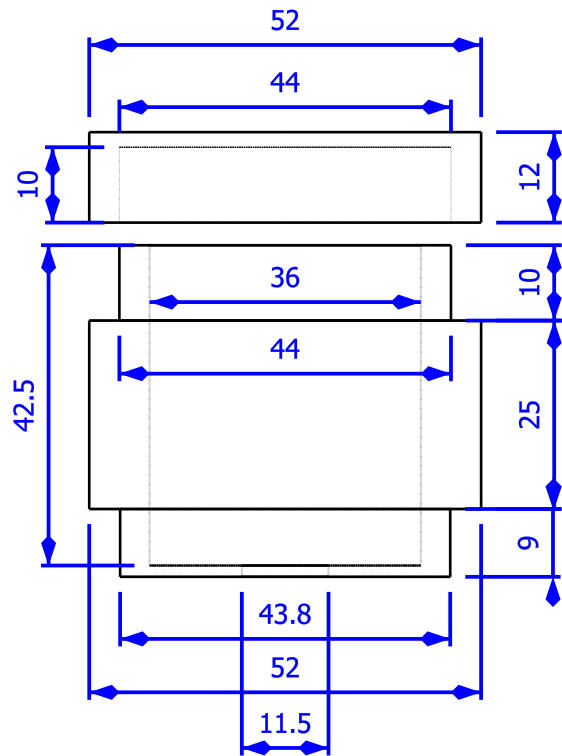
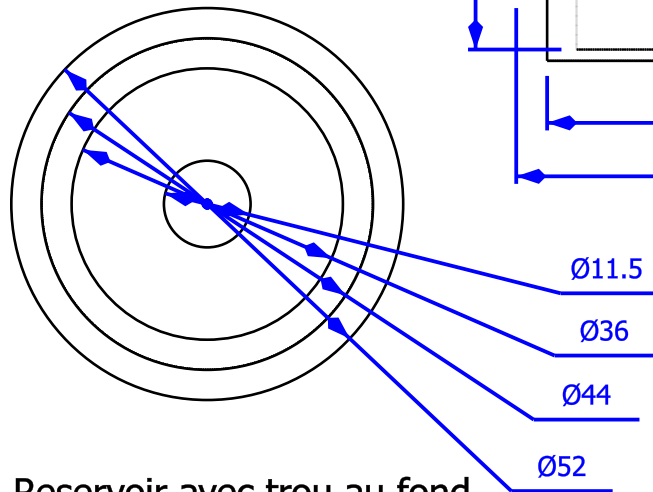


Capuchon



Filetage 1 mm



Reservoir avec trou au fond

Created by: Charles Murillon	Title: Reservoir liquide frein	Size: A4	Sheet: X / Y	Scale: 1:1
Supplementary information: Matière: Aluminium ; Tolérance 0.05 mm - 0.1 mm ; Filetage: 1 mm		Part number: 00001		Revision: Rev A
		Drawing no.: 1		
		Date: 07/08/2018		

