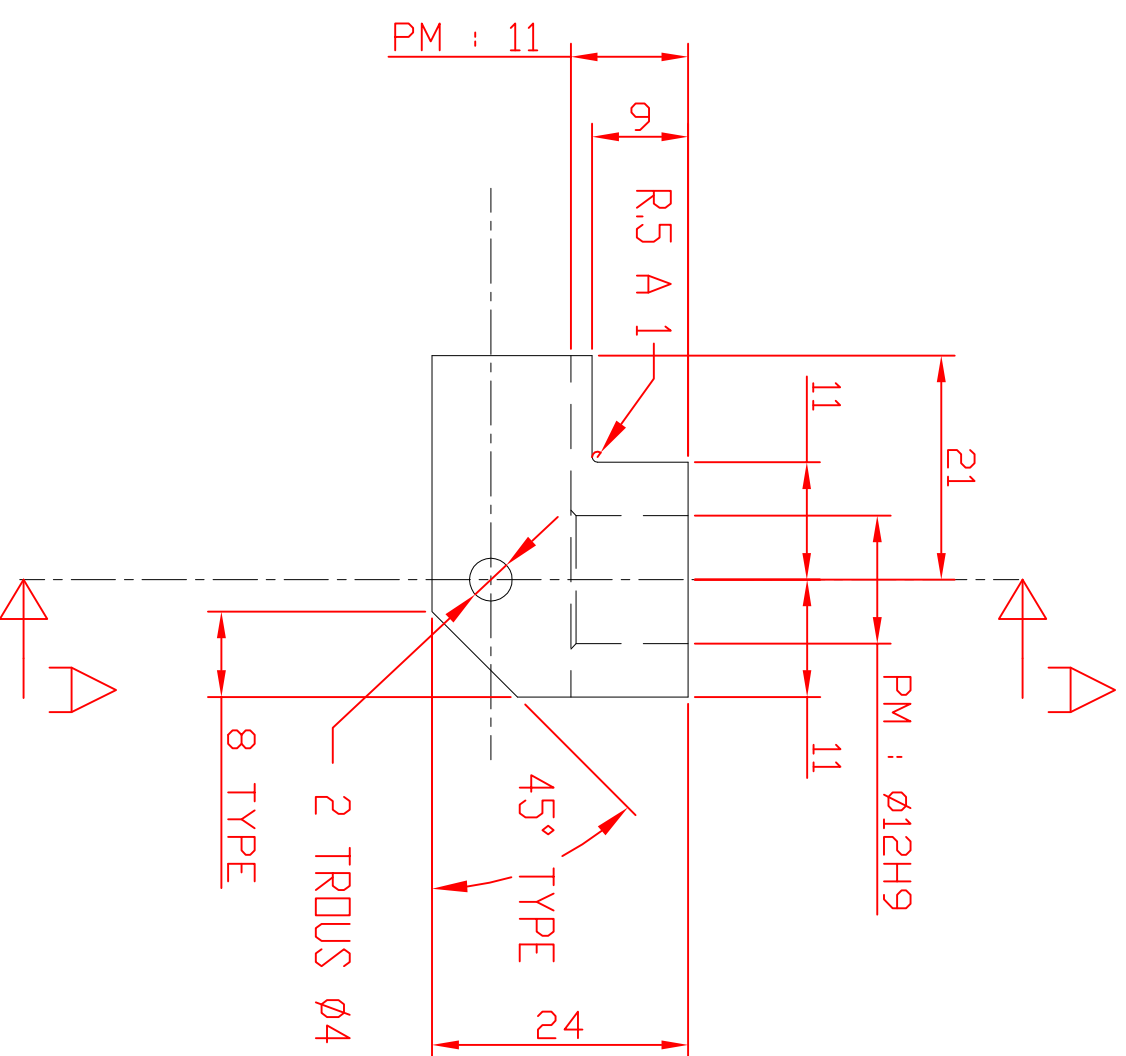
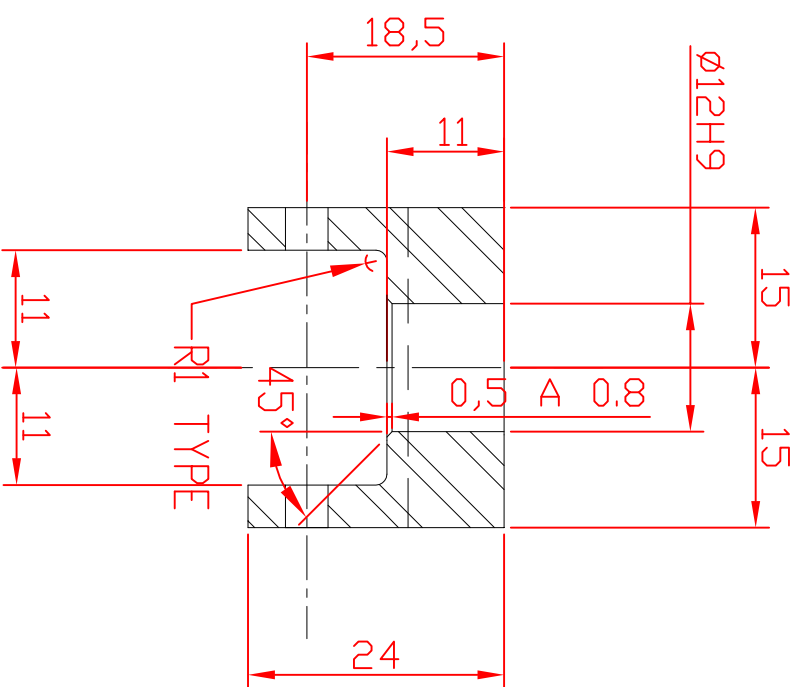


COUPE AA



NOTAS:

- Casser les aretes vives.
- Matière : 7075 T6
- Rugosité: Ra 3,2

		UNLESS OTHERWISE SPECIFIED:		TITLE:	
		DIMENSIONS ARE IN INCHES		DRAWN	
		TOLERANCES: +/- 0.3mm		LA TORRE	
		FRACTIONAL ±		02/08/18	
		ANGULAR: MACH ± BEND			
		TWO PLACE DECIMAL ±			
		THREE PLACE DECIMAL ±			
		INTERPRET GEOMETRIC		SIZE DWG. NO.	
		TOLERANCING PER:		A 320 144	
		MATERIAL		SCALE: 1:1 WEIGHT: SHEET 1 OF 1	
NEXT ASSY		USED DN		REV	
APPLICATION		DD NOT SCALE DRAWING		1	

PLAQUETTE FREIN