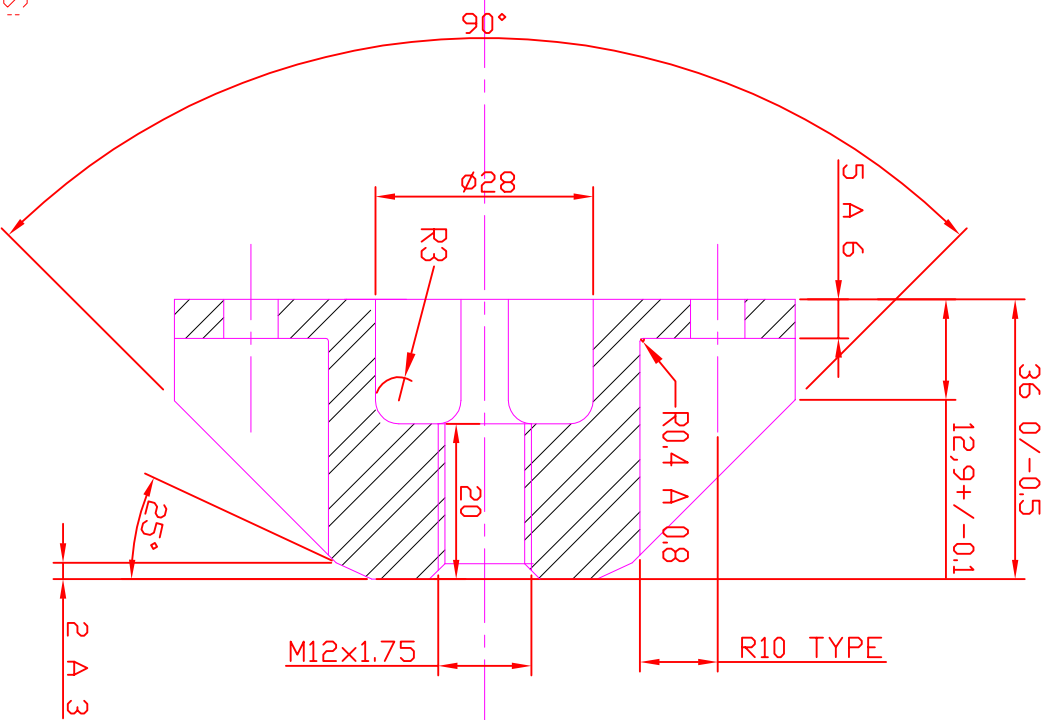
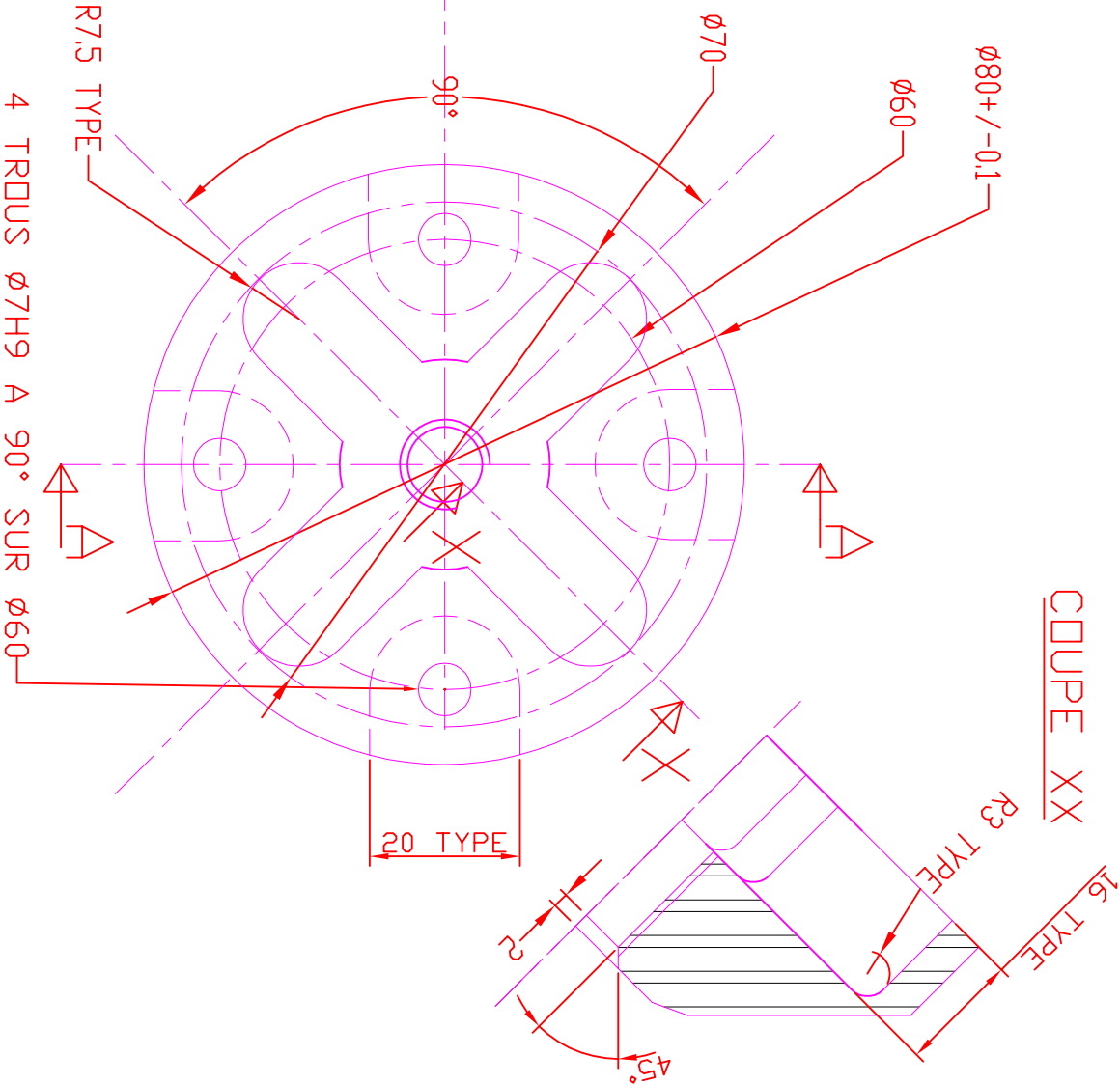


# COUPE AA



# COUPE XX



- NOTAS:
- Casser les aretes vives.
  - Matiere : 2030T3
  - Rugosité: Ra 3.2
  - Protection: Sans.

UNLESS OTHERWISE SPECIFIED:		DIMENSIONS ARE IN INCHES		TOLERANCES: +/- 0.3mm	
FRACTIONAL ±		ANGULAR: NACH ±		BEND	
TWO PLACE DECIMAL ±		THREE PLACE DECIMAL ±			
INTERPRET GEOMETRIC TOLERANCING PER MATERIAL		DRAWN		NAME	
NEXT ASSY		LA TORRE		20/06/18	
USED ON		CHECKED		DATE	
APPLICATION		ENG APPR.			
		MFG APPR.			
		COMMENTS:			
		O.A.			
		TITLE:		CONE DE FIXATION	
		SIZE DWG. NO.		A 320 141	
		SCALE: 1:1		WEIGHT:	
		SHEET 1 OF 1		REV 3	