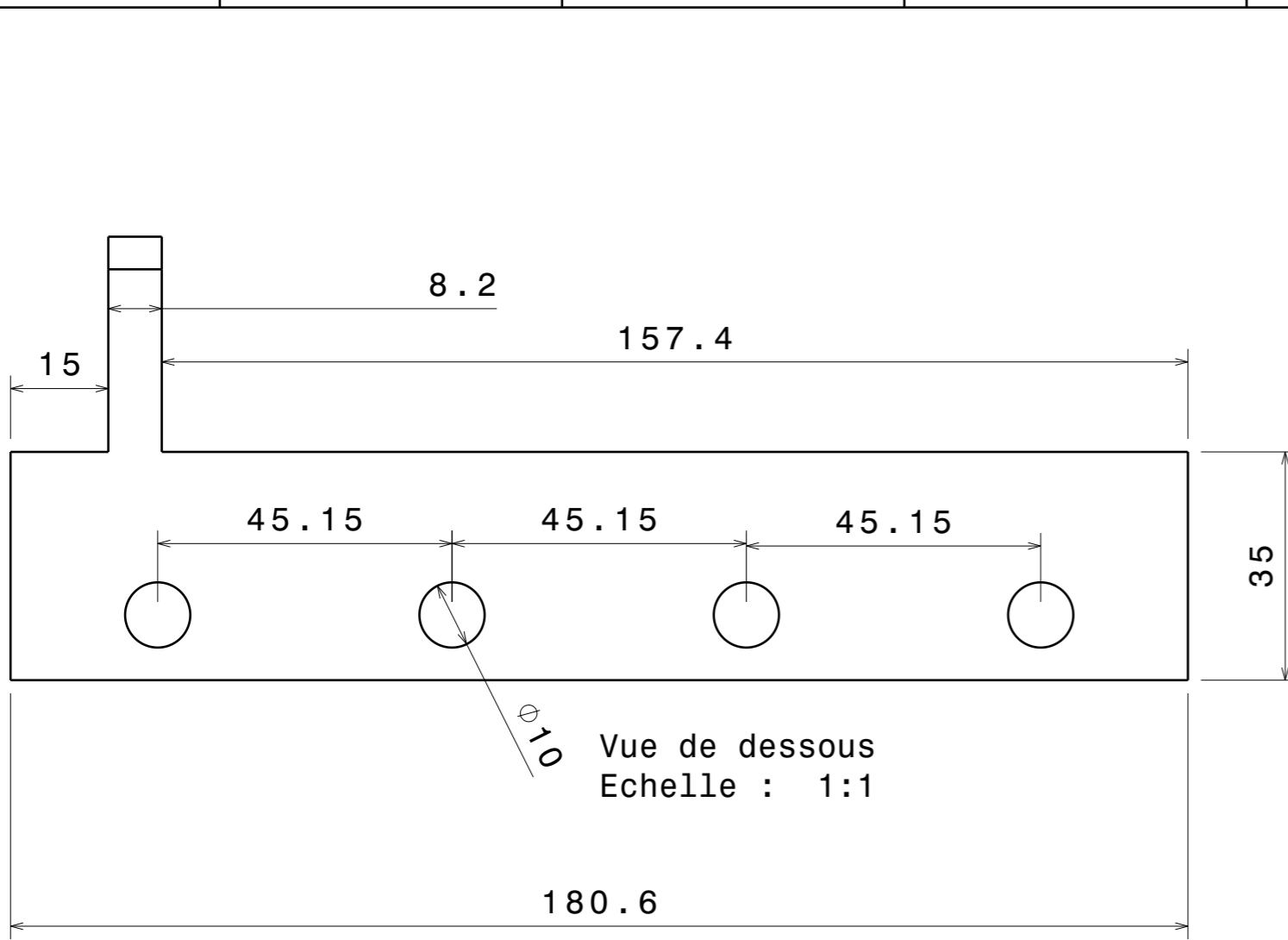
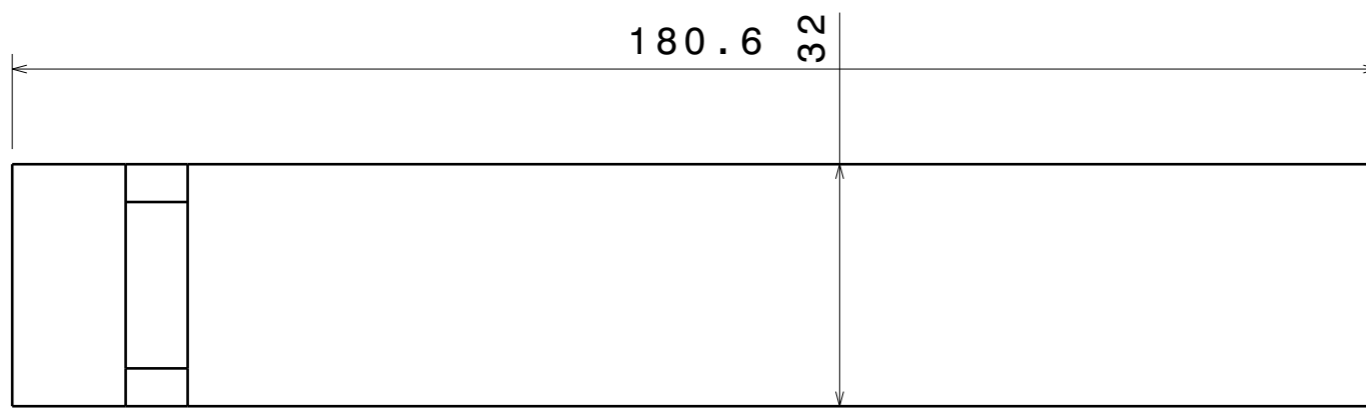


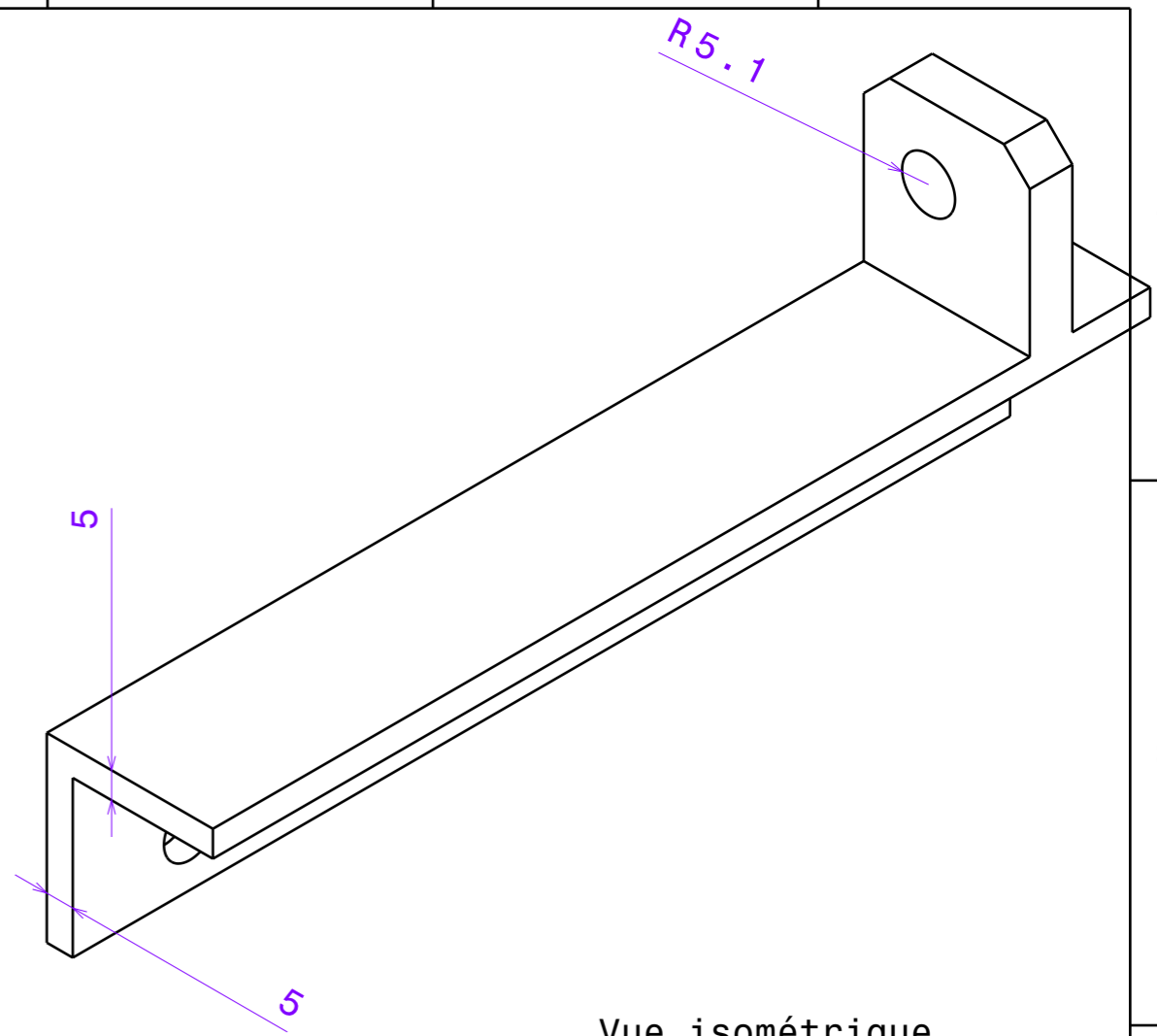
H G F E D C B A



Vue de dessous
Echelle : 1:1



Vue de face
Echelle : 1:1



Vue isométrique
Echelle : 1:1

| | | | | | |
|---|--------------------|--------------------------|--|-----------|-----|
| This drawing is our property. It can't be reproduced or communicated without our written agreement. | | DASSAULT SYSTEMES | | | |
| | | DRAWING TITLE | | | |
| DRAWN BY Nicolas | DATE 16/08/2017 | | | | REV |
| CHECKED BY XXX | DATE xxx | SIZE A3 | DRAWING NUMBER Linear actuator pivot chassis X | | |
| DESIGNED BY XXX | DATE xxx | SCALE 1:1 | WEIGHT (kg) 0,06 | SHEET 1/1 | |

H G B A