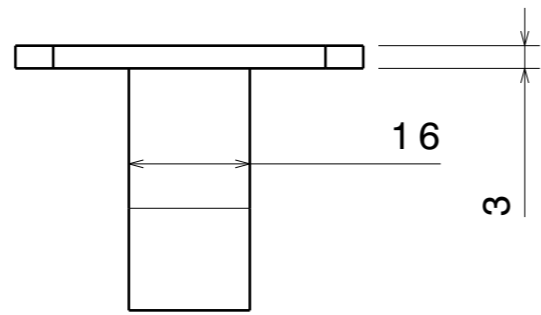
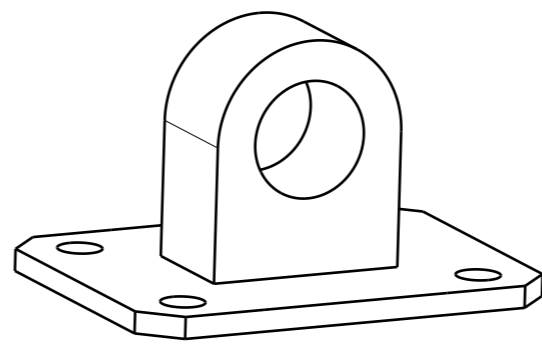


H G F E D C B A

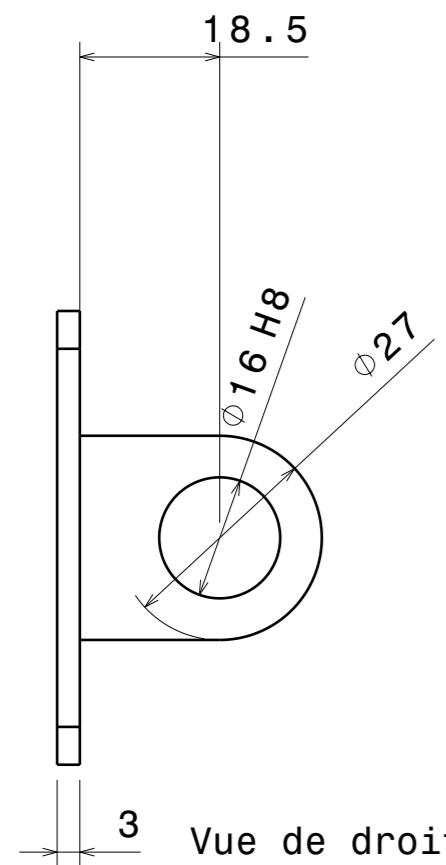
4



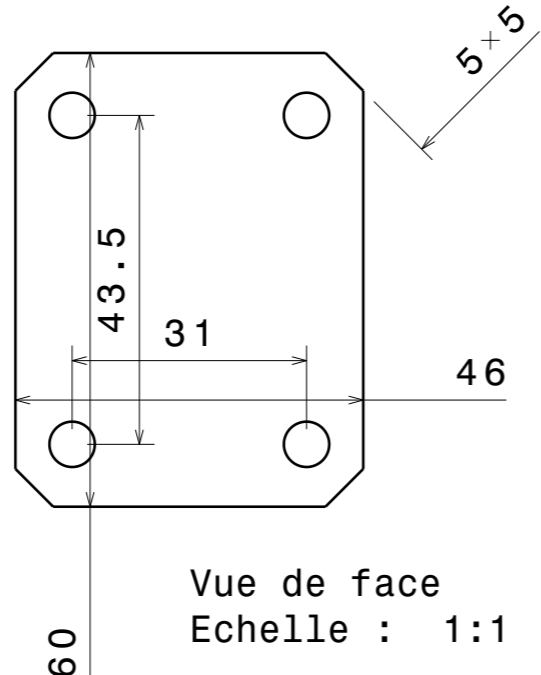
Vue de dessous  
Echelle : 1:1



Vue isométrique  
Echelle : 1:1



Vue de droite  
Echelle : 1:1



Vue de face  
Echelle : 1:1

3

2

1

H G F E D C B A

This drawing is our property. It can't be reproduced or communicated without our written agreement.		<b>DASSAULT SYSTEMES</b>				
DRAWN BY <b>Nicolas</b>		DATE 16/08/2017		DRAWING TITLE <b>Liaison tube plaque 1</b>		
CHECKED BY <b>XXX</b>		DATE xxx				SIZE <b>A3</b>
DESIGNED BY <b>XXX</b>		DATE xxx		SCALE 1:1	WEIGHT (kg) 0,02	SHEET 1/1

4

3

2

1