

D

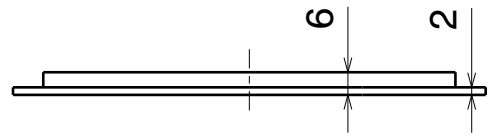
C

B

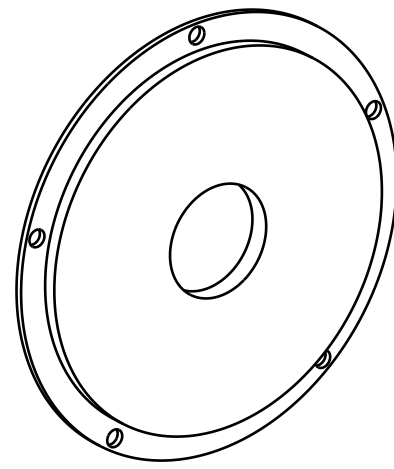
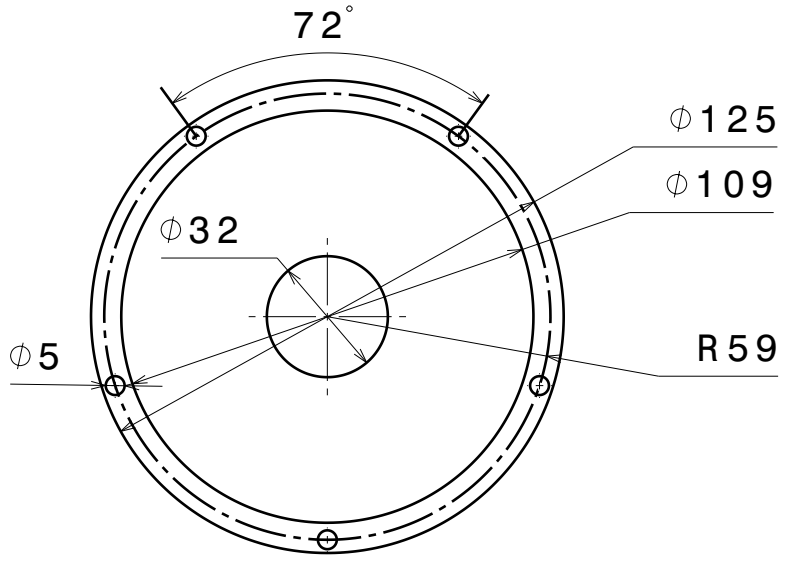
A

4

4



72°



Vue isométrique
Echelle : 1:2

3

3

2

2

Non spécifié : +/- 0,5mm

1

1

DESIGNED BY: Yannick				I	-
DATE: 12/06/2018				H	-
CHECKED BY: XXX				G	-
DATE: XXX				F	-
SIZE A4		iFollow		E	-
SCALE 1:2	WEIGHT (kg) 0,16			D	-
DRAWING NUMBER Roue arbre couvercle		SHEET 1/1		C	-
This drawing is our property; it can't be reproduced or communicated without our written agreement.				B	-
				A	-

D

A