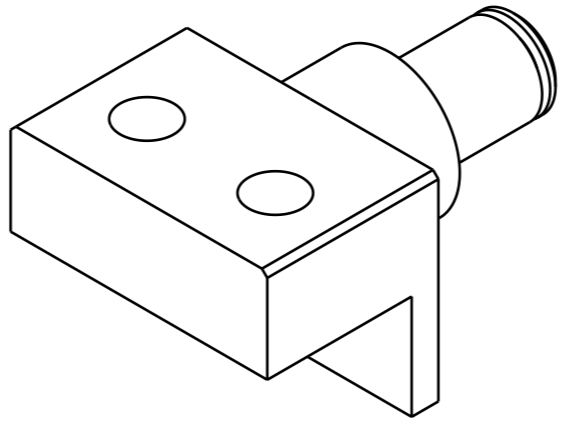
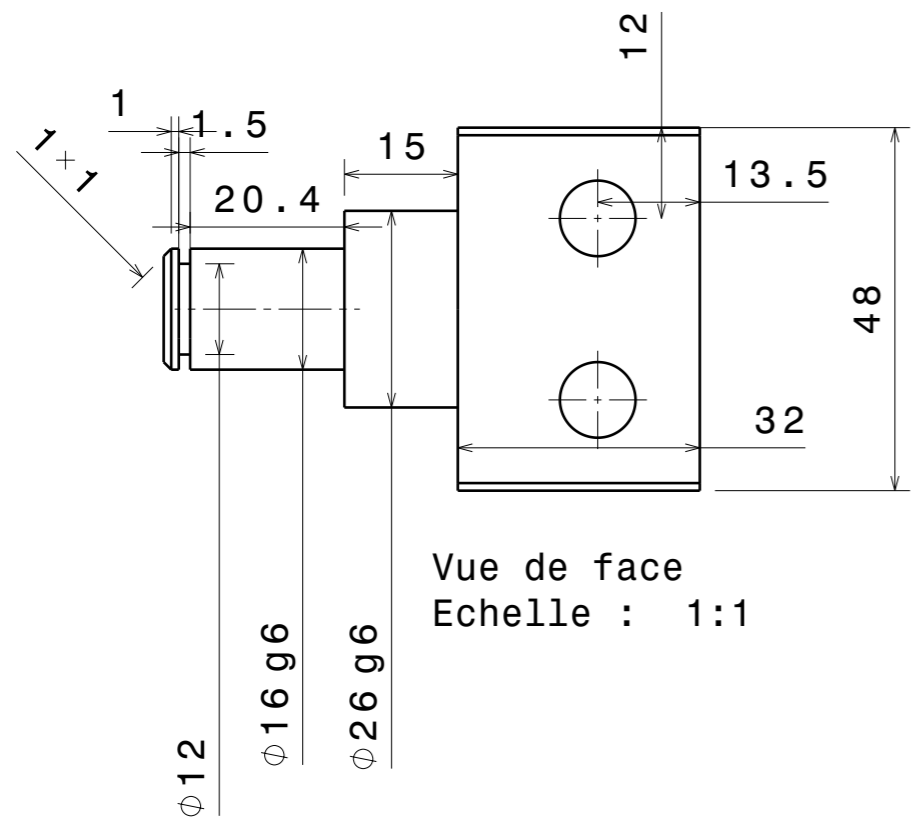


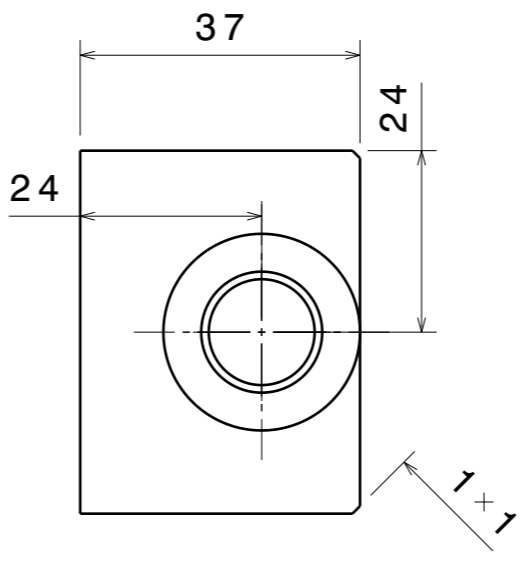
Vue de dessous
Echelle : 1:1



Vue isométrique
Echelle : 1:1



Vue de face
Echelle : 1:1



Vue de gauche
Echelle : 1:1

This drawing is our property. It can't be reproduced or communicated without our written agreement.		DASSAULT SYSTEMES			
		DRAWING TITLE			
DRAWN BY Nicolas	DATE 08/08/2017			SIZE A3	DRAWING NUMBER Tube pivot chassis arriere
CHECKED BY maxime S	DATE xxx			REV X	
DESIGNED BY Nicolas M	DATE xxx	SCALE 1:1	WEIGHT (kg) 0,04	SHEET 1/1	