

D

C

B

A

4

4

3

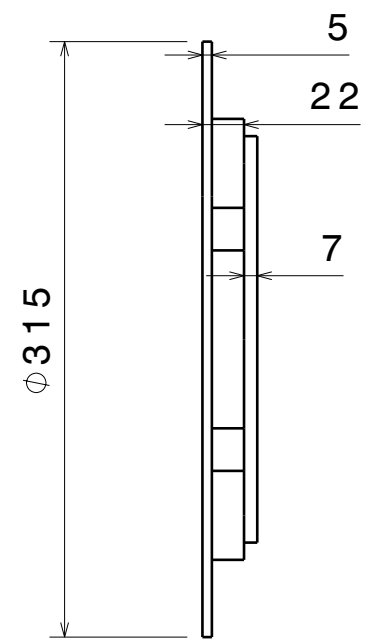
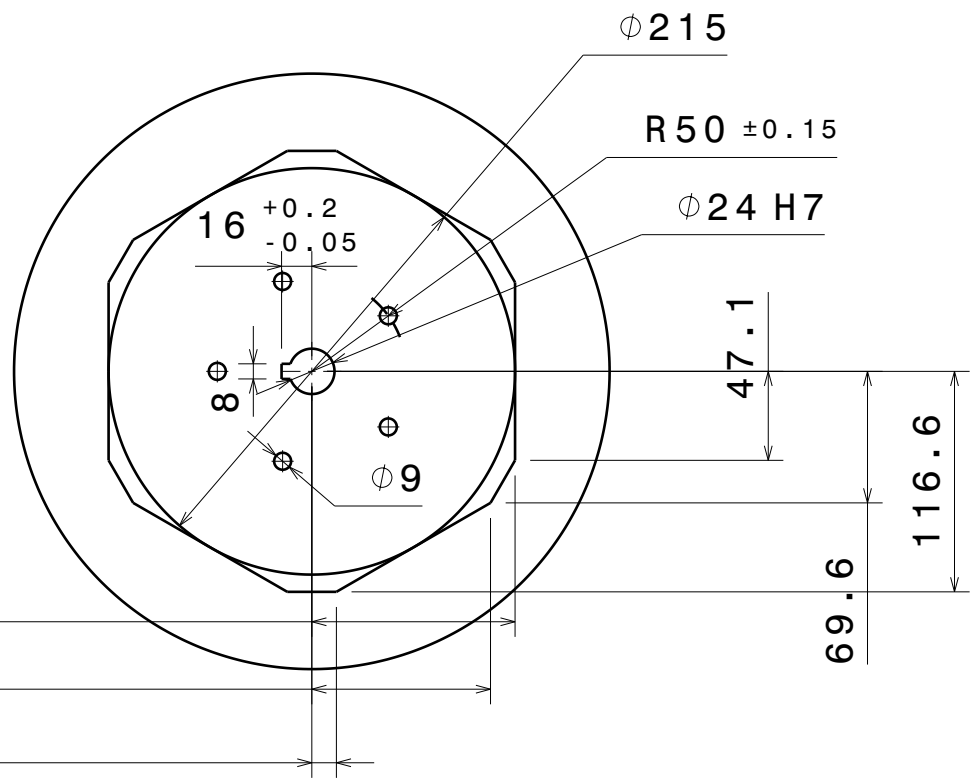
3

2

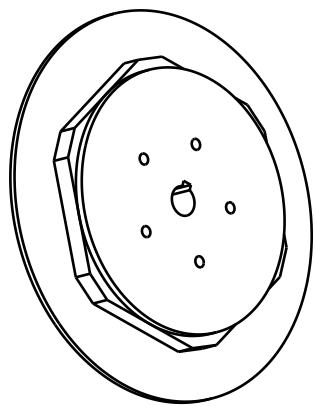
2

1

1



Toutes tolerances non fournies sont assumées à +/- 0,5mm



DESIGNED BY: <b>Yannick</b>				I	-
DATE: <b>12/06/2018</b>				H	-
CHECKED BY: <b>XXX</b>				G	-
DATE: <b>XXX</b>				F	-
SIZE <b>A4</b>		<b>iFollow</b>		E	-
SCALE <b>1:4</b>	WEIGHT (kg) <b>1,29</b>			D	-
DRAWING NUMBER <b>Roue avant maintien 1</b>		SHEET <b>1/1</b>		C	-
This drawing is our property; it can't be reproduced or communicated without our written agreement.				B	-
				A	-

D

A