

D

C

B

A

4

4

3

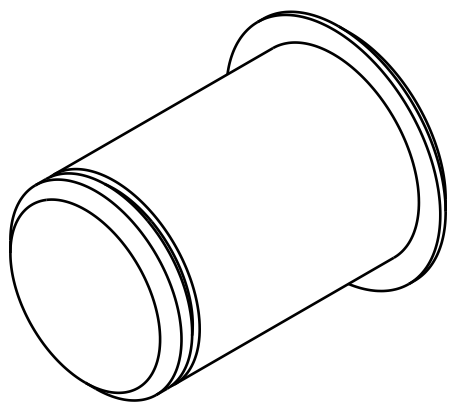
3

2

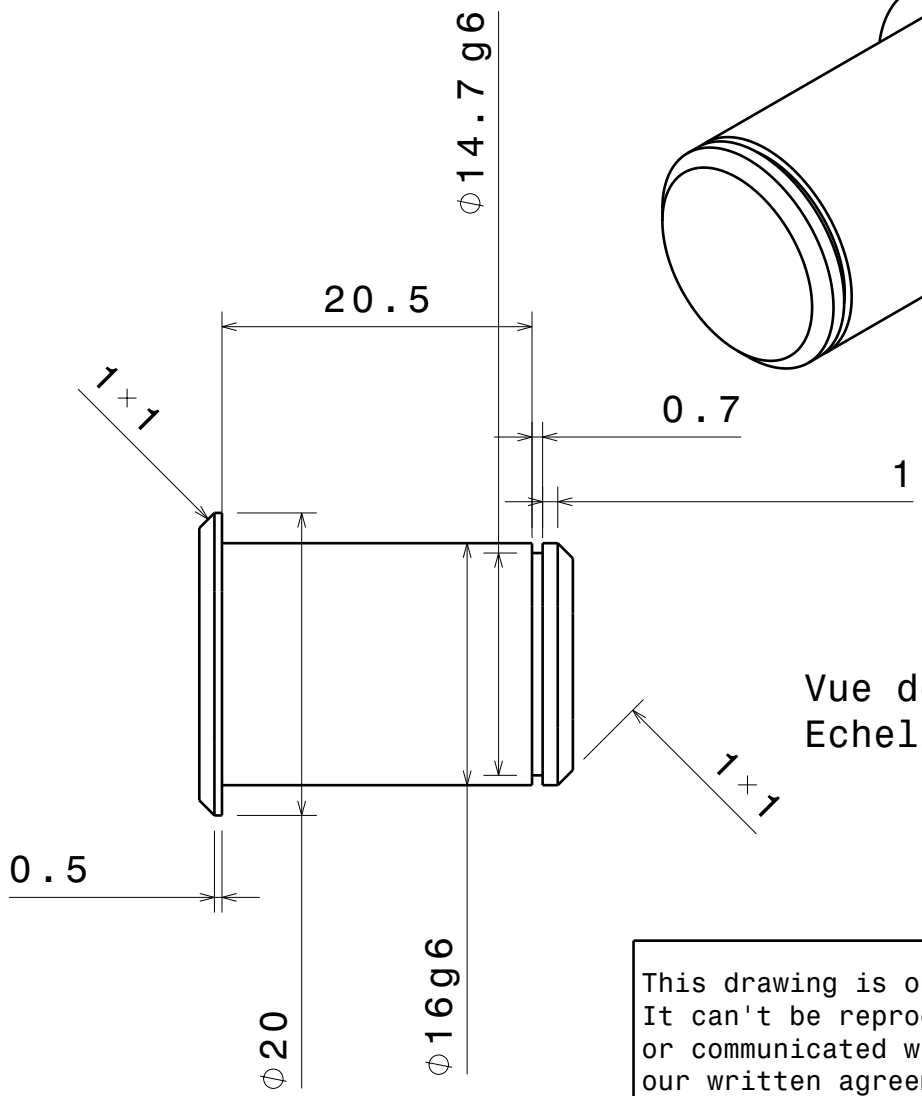
2

1

1



Vue isométrique
Echelle : 2:1



Vue de face
Echelle : 2:1

This drawing is our property. It can't be reproduced or communicated without our written agreement.		DASSAULT SYSTEMES			
DRAWN BY Maxime S		DATE 08/08/2017		DRAWING TITLE Axe pivot Ciseau levage	
CHECKED BY Nicolas M		DATE xxx			
DESIGNED BY Maxime S		DATE xxx		SIZE A4	DRAWING NUMBER
		SCALE 2:1		WEIGHT(kg) 0,01	REV X
				SHEET 1/1	

D

A