

D

C

B

A

4

4

3

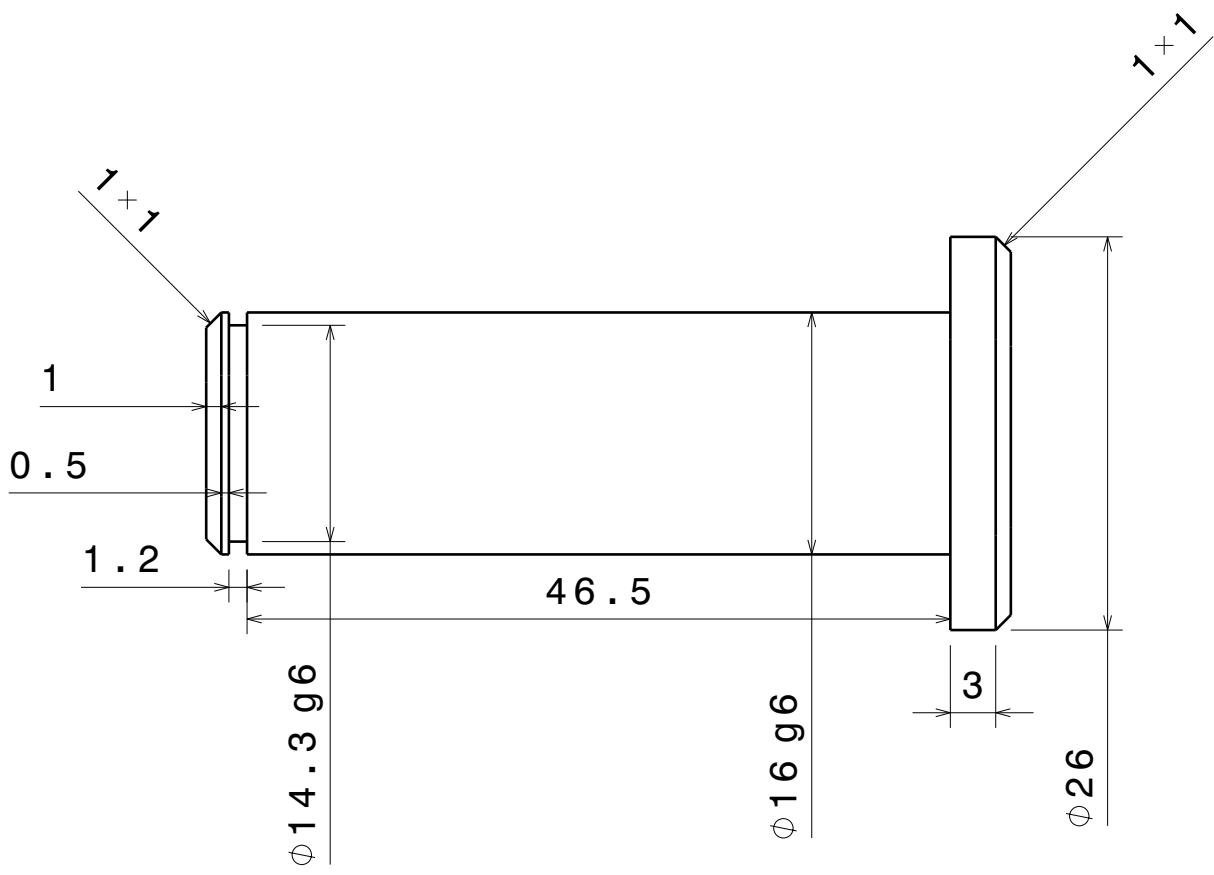
3

2

2

1

1



Vue de face
Echelle : 2:1

This drawing is our property. It can't be reproduced or communicated without our written agreement.		DASSAULT SYSTEMES			
DRAWN BY Nicolas		DATE 08/08/2017		DRAWING TITLE	
CHECKED BY XXX		DATE xxx			
DESIGNED BY XXX		DATE xxx	SIZE A4	DRAWING NUMBER pivot_milieu_ciseau	
		SCALE 1:1	WEIGHT(kg) 0,01	SHEET 1/1	REV X

D

A