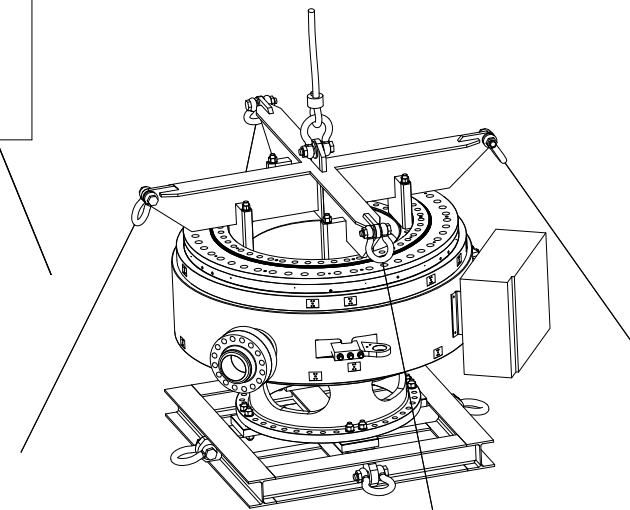
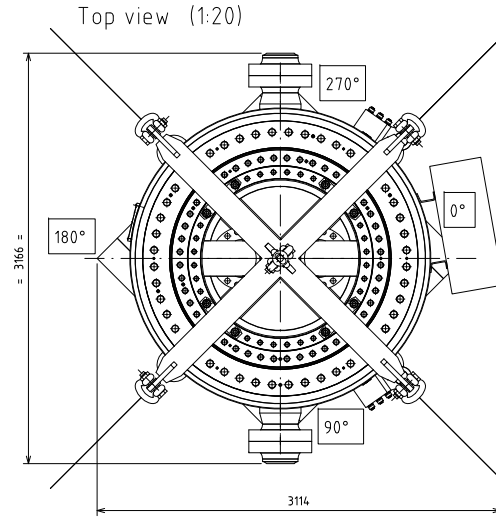
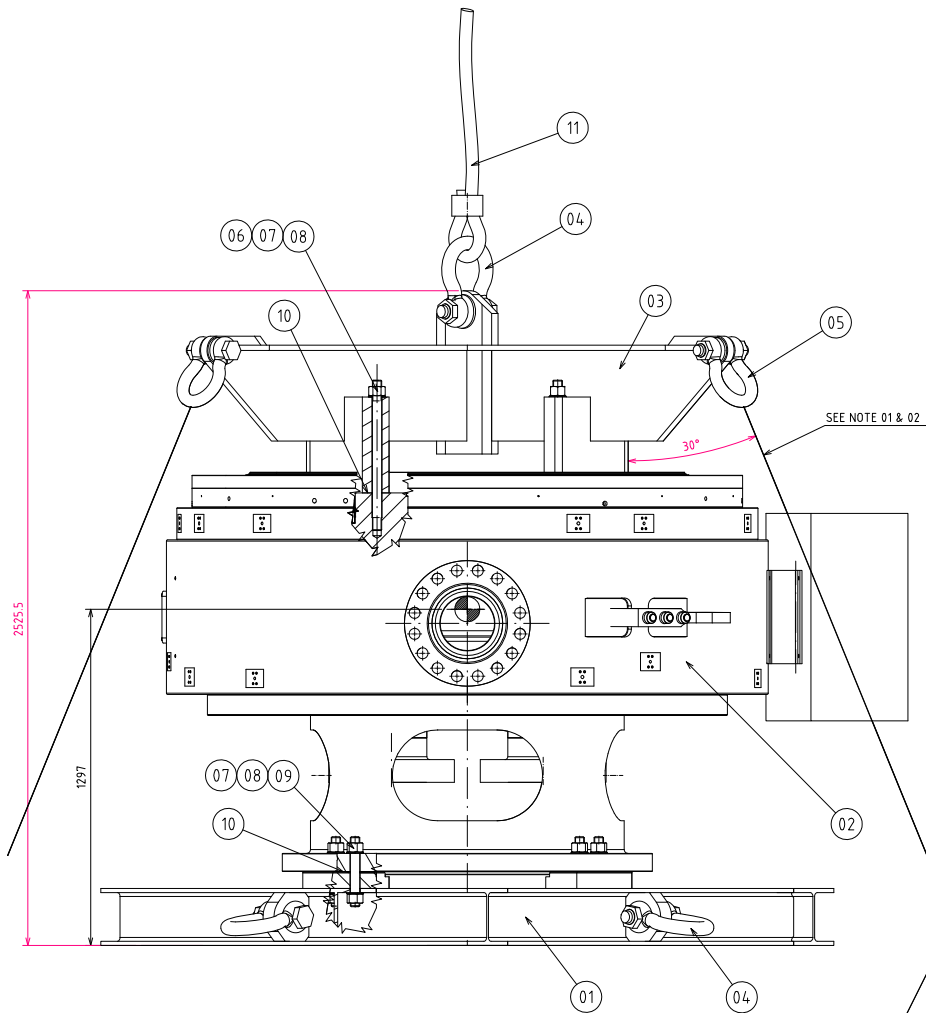


TOTAL WEIGHT : 24 T



A1


TIGHTENING PARAMETERS FOR BOLTING						
ITEM	LUBRICANT	TORQUE VALUE (N.m)	PULLING FORCE TO BE APPLIED (KN)	MAX. ALLOWABLE PULLING FORCE (KN)	RESIDUAL PRETENSION (KN)	RESIDUAL ELONGATION (mm)
06	MOLYKOTE 1000	3276	/	/	538	/
09	MOLYKOTE 1000	3276	/	/	538	/

Status	Rev.	Description	Author	Checker	Discipline Engineer	Disc. Lead Engineer	Date
C	1	FOR COMMENTS / APPROVAL	MD	GRE	DCE	CU	JAN 2012
A	1	APPROVED FOR CONSTRUCTION SEE MODIFICATION	MD	GRE	DCE	CU	MAR 2012

ITEM	QTY	EXTRA	DESCRIPTION	MATERIAL	UNITARY WEIGHT Kg	TOTAL WEIGHT Kg	REMARKS
11	1		STEEL SLEEVES SLING Ø4-8mm CMU 32T REF.: 6x36 AM - EYE AT EACH END				SEE NOTE 01
10	4		RUBBER (BETWEEN FRAME AND SWIVEL) THK: 5mm	60 SHORE	/	/	
09	8		STUDBOLT M36 x 270	109-1-HG	2.16	17.3	SEE REF. DOC. 03
08	24		HEX. NUT M36 H = D	109-1-HG	0.8	19.2	SEE REF. DOC. 03
07	24		NORMAL WASHER M36 OD. 66mm ID. 37mm THK. 5mm	109-1-HG	0.03	0.72	SEE REF. DOC. 03
06	8		STUDBOLT M36 x 580 50/80	109-1-HG	4.6	37	SEE REF. DOC. 03
05	4		SHACKLE SWL 25T G-2130		15.4	62	CROSBY
04	5		SHACKLE SWL 35T G-2130		23.7	118	CROSBY
03	1		TOP FRAME		1019	1019	SEE REF. DOC. 04
02	1		SWIVEL UNIT 3		20942	20942	SEE REF. DOC. 02
01	1		BOTTOM FRAME		893	893	SEE REF. DOC. 04
ITEM	QTY	EXTRA	DESCRIPTION	MATERIAL	UNITARY WEIGHT Kg	TOTAL WEIGHT Kg	REMARKS

FPSO OSX 2

DRAWING ASSEMBLY: N/A TOTAL WEIGHT: 2388 Kg.



— Website: www.sbmgroup.com

Client Drawing Number	/	Unit Design	/
Drawing Title	TURRET SWIVEL STACK TRANSPORTATION - UNIT 3 SWIVEL GENERAL ARRANGEMENT		EPN B. HOBSON
Drawn	A1	SBM Project Number	SO 18070
Checked	SO 18070	SBM Drawing Number	DMM98003
Disc. Lead	A1	SBM Project Number	DMM98003
Date	MAR 2012	SBM Drawing Number	DMM98003