

4

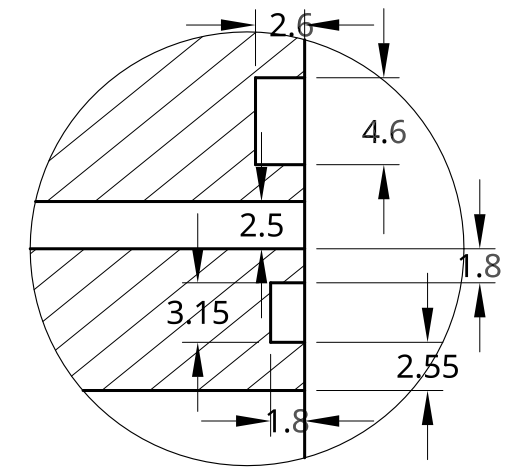
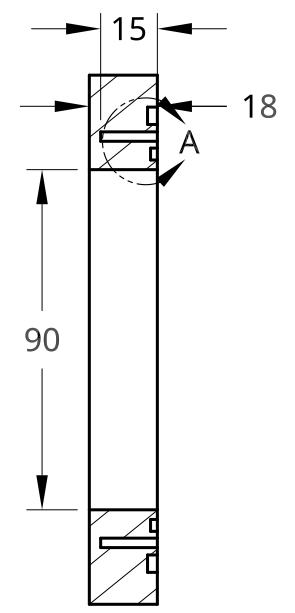
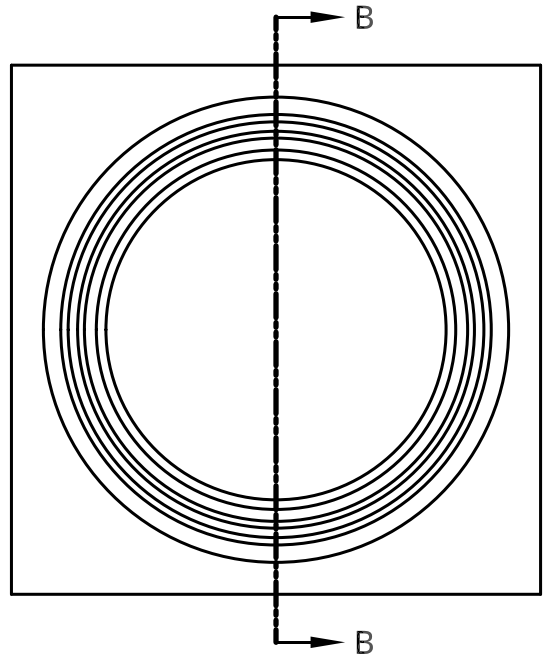
3

2

1

D

D

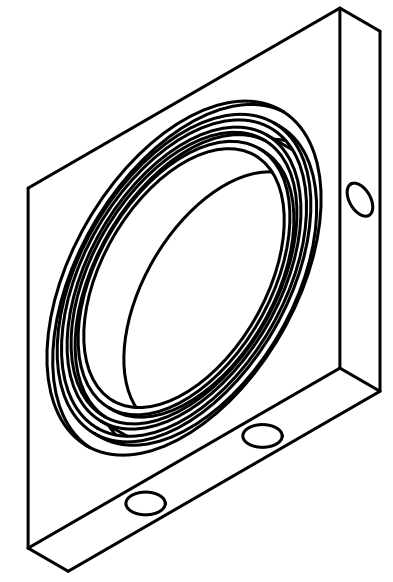
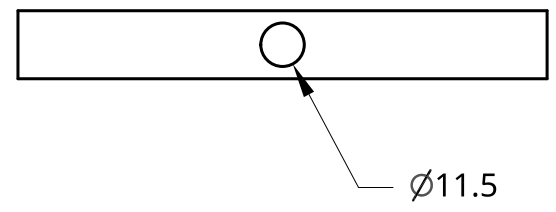
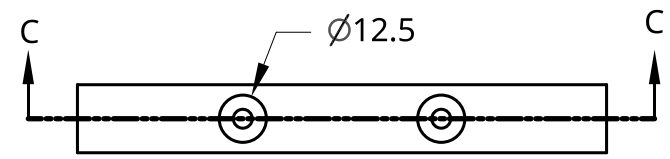


DETAIL A
SCALE 1:0.4

SECTION B - B

C

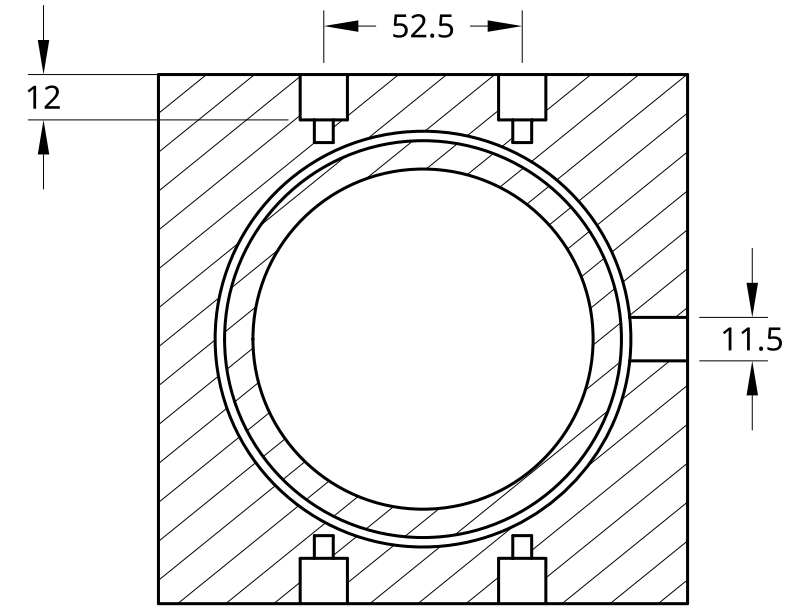
C



SCALE 1:2.4

B

B



SECTION C - C

A

A

UNLESS OTHERWISE SPECIFIED, DIMENSIONS ARE IN MILLIMETERS ANGULAR = \pm ° SURFACE FINISH DO NOT SCALE DRAWING BREAK ALL SHARP EDGES AND REMOVE BURRS THIRD ANGLE PROJECTION 		NAME	DATE		
	DRAWN	Elvesys	05/22/2018	TITLE	
	CHECKED			----	
	APPROVED			----	

	MATERIAL	FINISH	SIZE	DWG NO.	REV.
			B		-
			SCALE	WEIGHT	SHEET
			1:2		1 of 1

4

3

2

1