

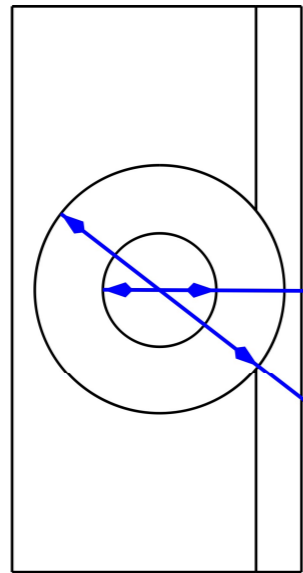
H G F E D C B A

4

3

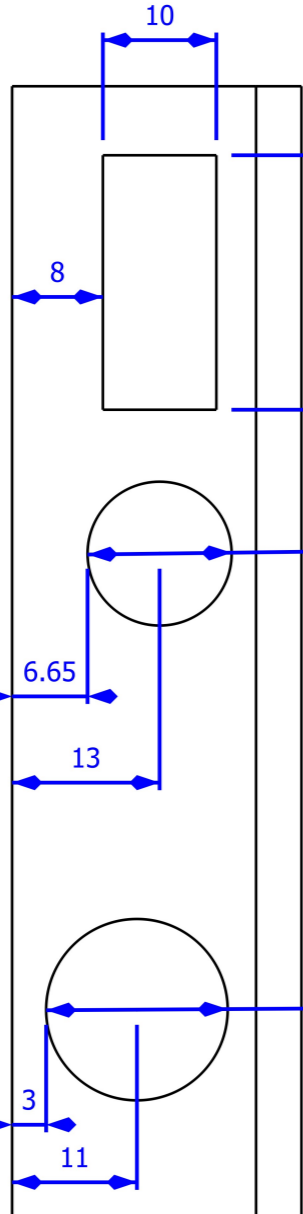
2

1



Ø10 au travers de la paroi

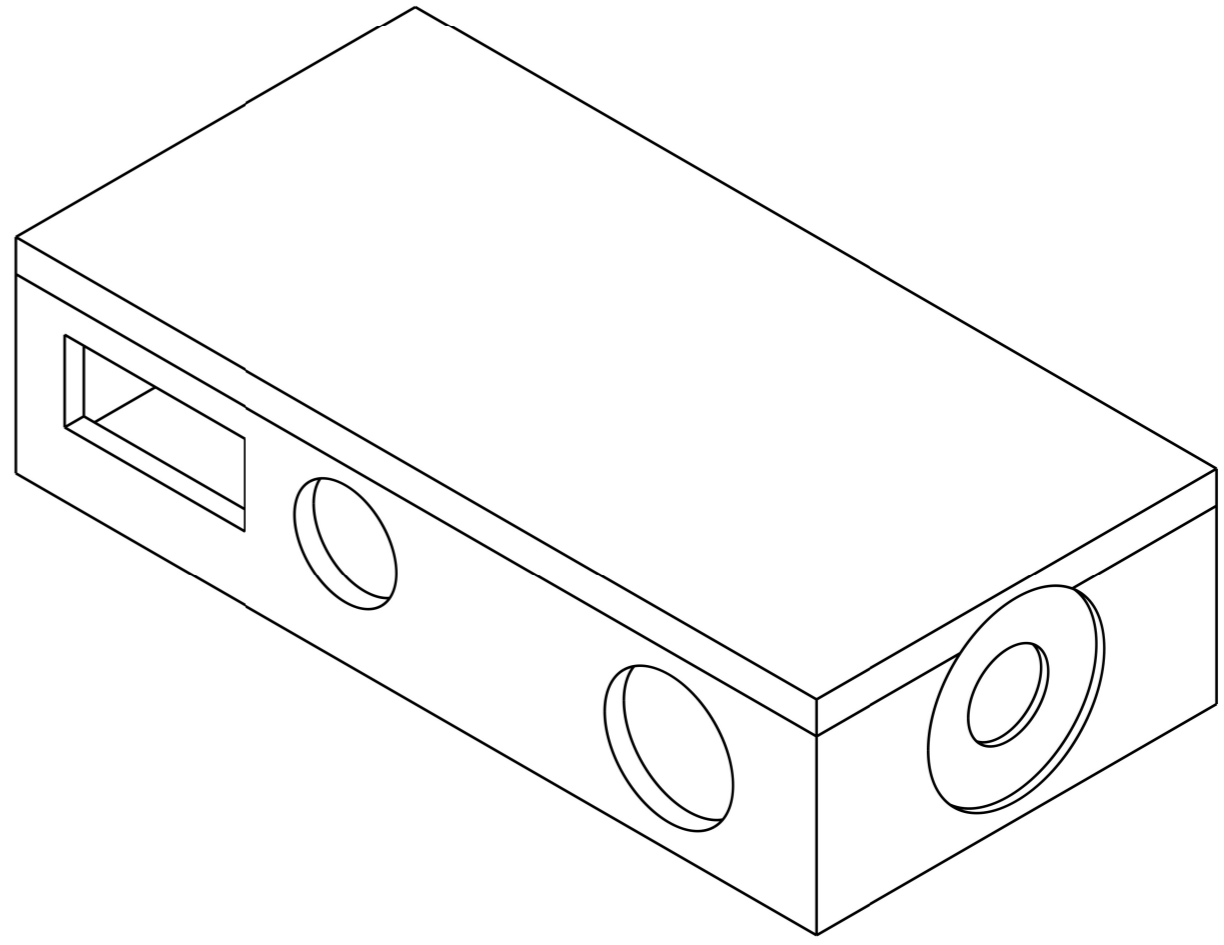
Ø22 sur 1mm de profondeur



au travers de la paroi

Ø12.7 au travers de la paroi

Ø16 au travers de la paroi



4

3

2

1

H G F E D C B A

DESIGNED BY: Anthony RODRIGUEZ		<h1>Modification boitier</h1> <h2>Hammond 1590G</h2>	
DATE: 15/05/2018 -			
CHECKED BY:			
DATE: -			
SIZE <b>A3</b>		DRAWING NUMBER	SHEET
SCALE ?	WEIGHT (kg)		

I	-
H	-
G	-
F	-
E	-
D	-
C	-
B	-
A	-

This drawing is our property; it can't be reproduced or communicated without our written agreement.