

1

2

3

4

5

6

RevNo	Revision note	Date	Signature	Checked
2	Add deck height dimension	2009-10-27	RC	

A

B

C

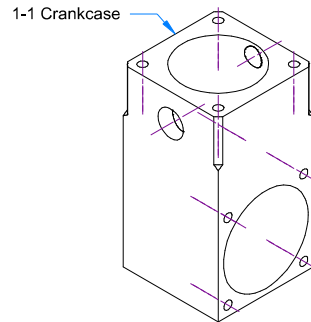
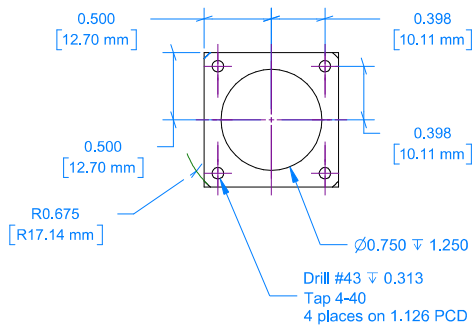
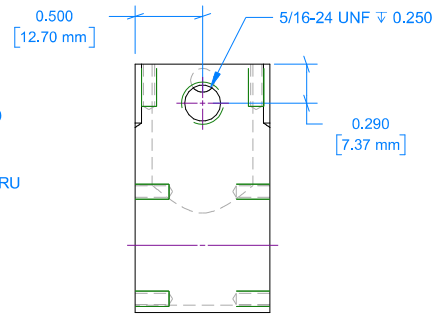
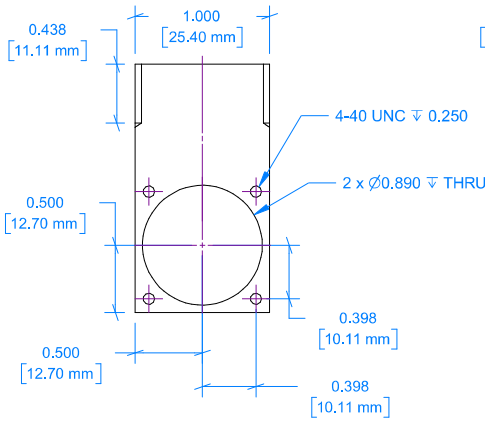
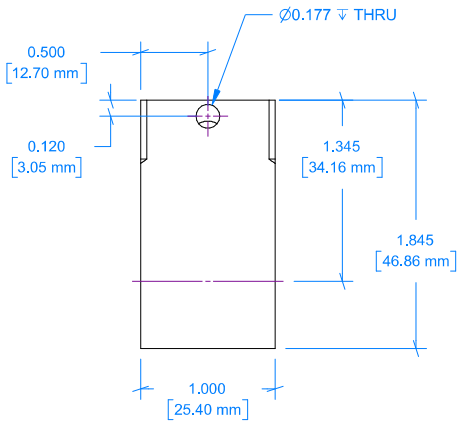
D

A

B

C

D



Fastner options

- 6BA: Drill #42 to tap, #33 to clear.
- 4-40: Drill #43 to tap, #33 to clear
- 3.0Mx0.5: Drill 2.5mm tap, 3 mm to clear.

**1-1 Crankcase**  
1.0 sq aluminium bar

1

2

3

6