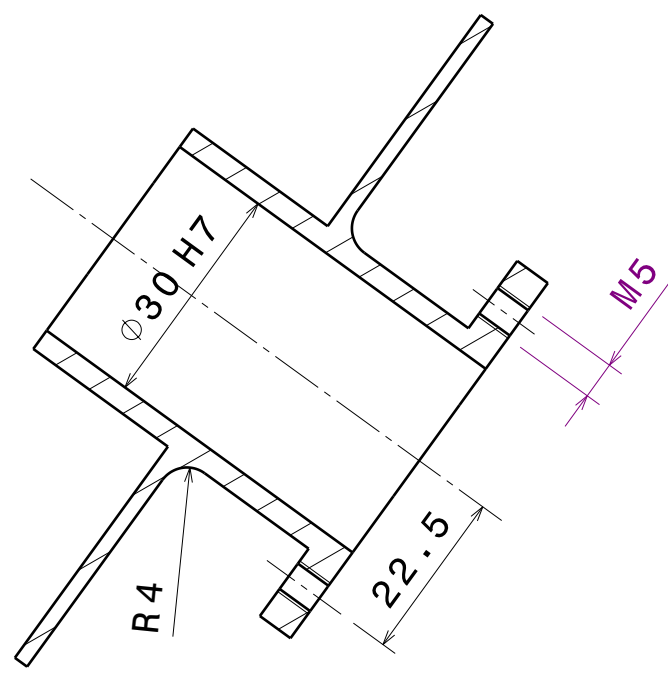
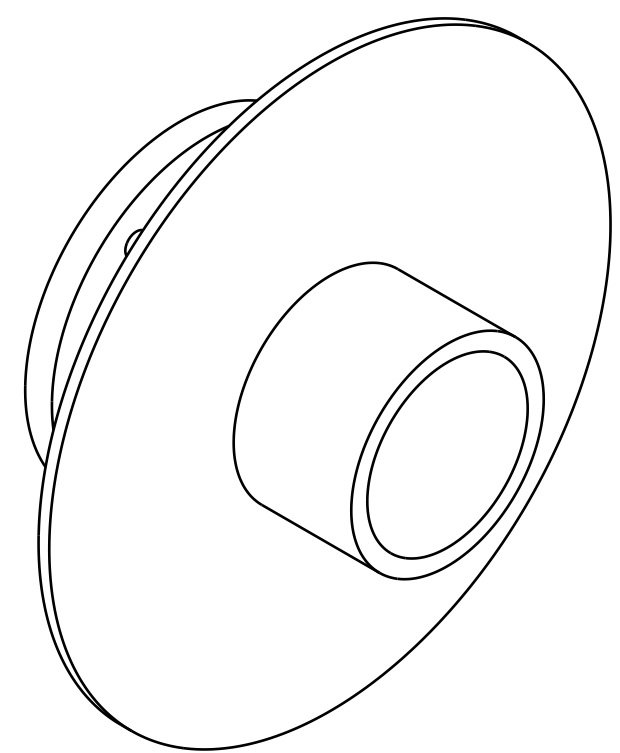


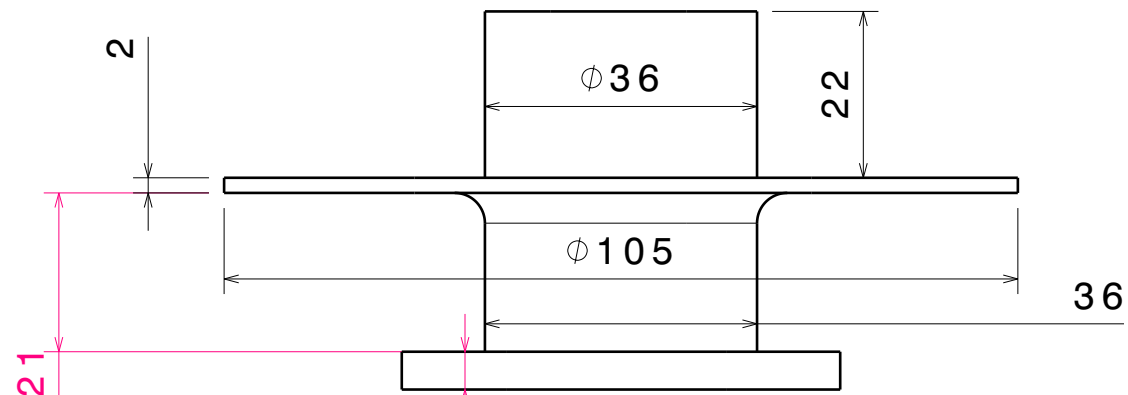
Vue de dessous
Echelle : 1:1



Coupe A-A
Echelle : 1:1



Vue isométrique
Echelle : 1:1



Vue de face
Echelle : 1:1

| | | | | | |
|---|-----------------------|-----------------------|--|---|---|
| DESIGNED BY: FERRAND Godefroy | | <h1>Moyeux frein</h1> | | I | - |
| DATE: 11/03/2017 | | | | H | - |
| CHECKED BY: XXX | | PV3e ESTACA | | G | - |
| DATE: | | | | F | - |
| SIZE: A3 | | Transmission Calypso | | E | - |
| SCALE: 1:1 | Matière: Aluminium | | | C | - |
| | | Ensemble | | B | - |
| | | SHEET 1/1 | | A | - |
| This drawing is our property; it can't be reproduced or communicated without our written agreement. | | | | | |