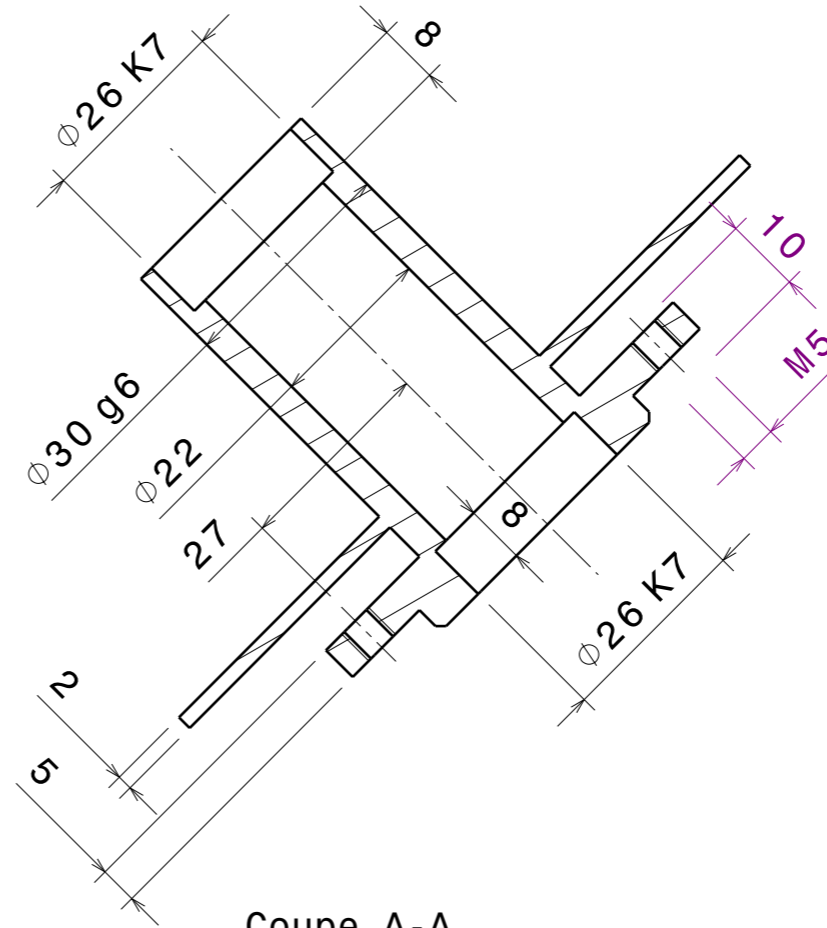
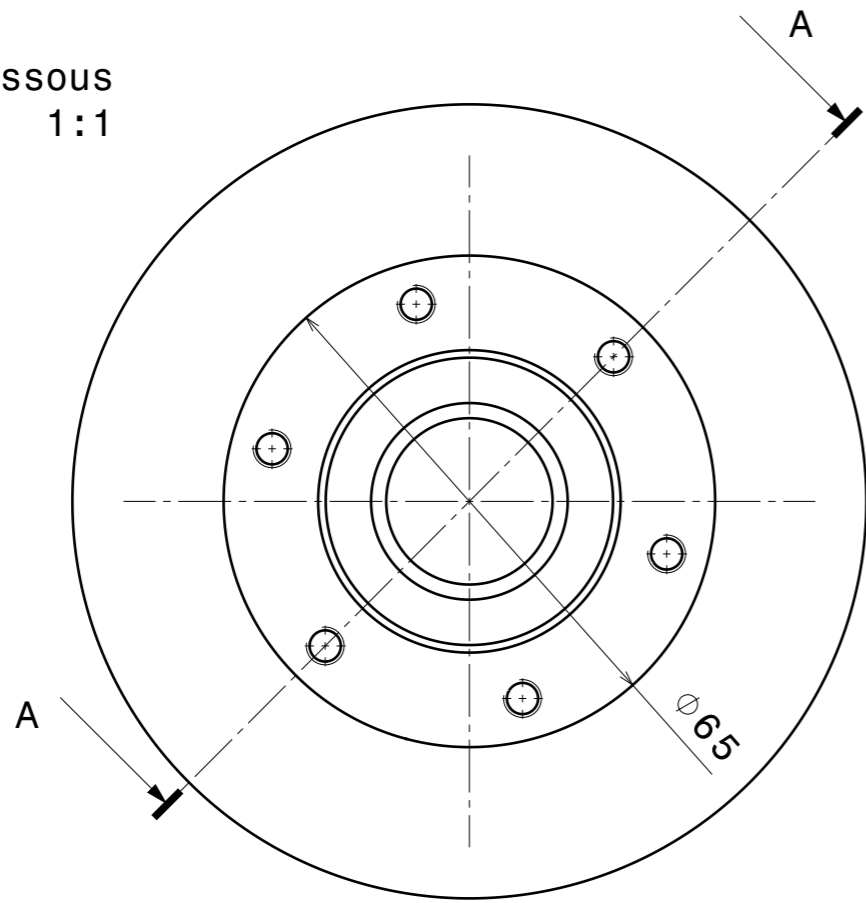
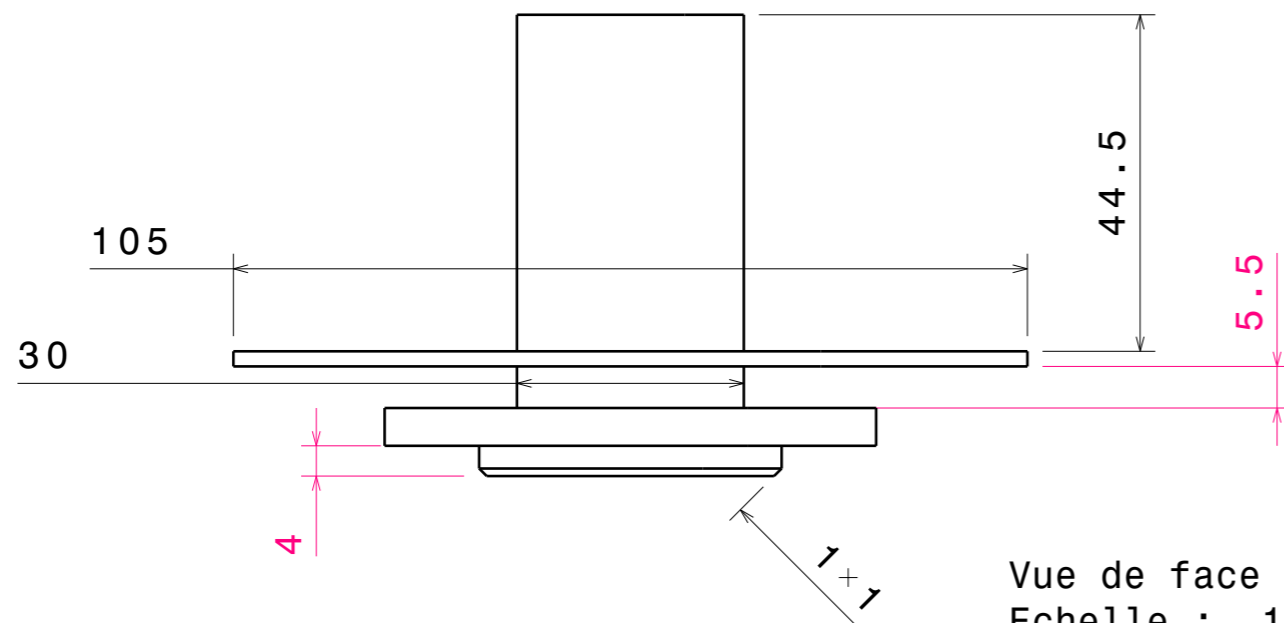
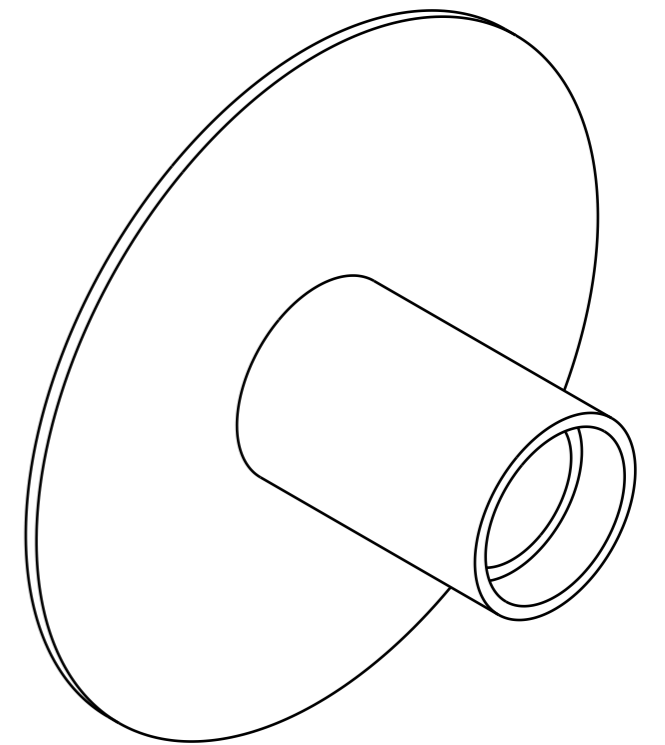


Vue de dessous
Echelle : 1:1



Coupe A-A
Echelle : 1:1

Vue isométrique
Echelle : 1:1



Vue de face
Echelle : 1:1

DESIGNED BY: Godefroy FERRAND		Moyeux à crabot		I	-
DATE: 11/03/2017				H	-
CHECKED BY: XXX		PV3e ESTACA		G	-
DATE: XXX				F	-
SIZE: A3		Transmission Calypso		E	-
SCALE: 1:1	Matière: Aluminium			D	-
Ensemble		SHEET		C	-
		1/1		B	-
This drawing is our property; it can't be reproduced or communicated without our written agreement.				A	-