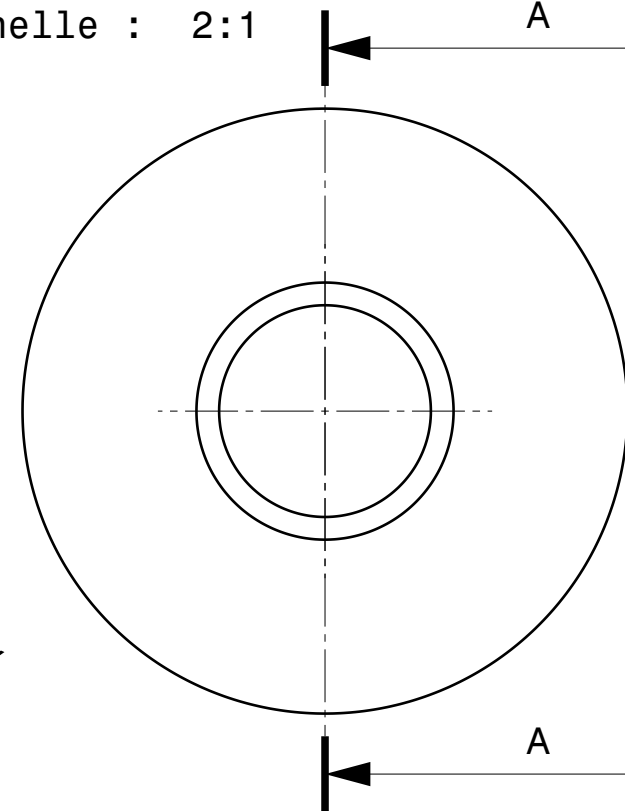
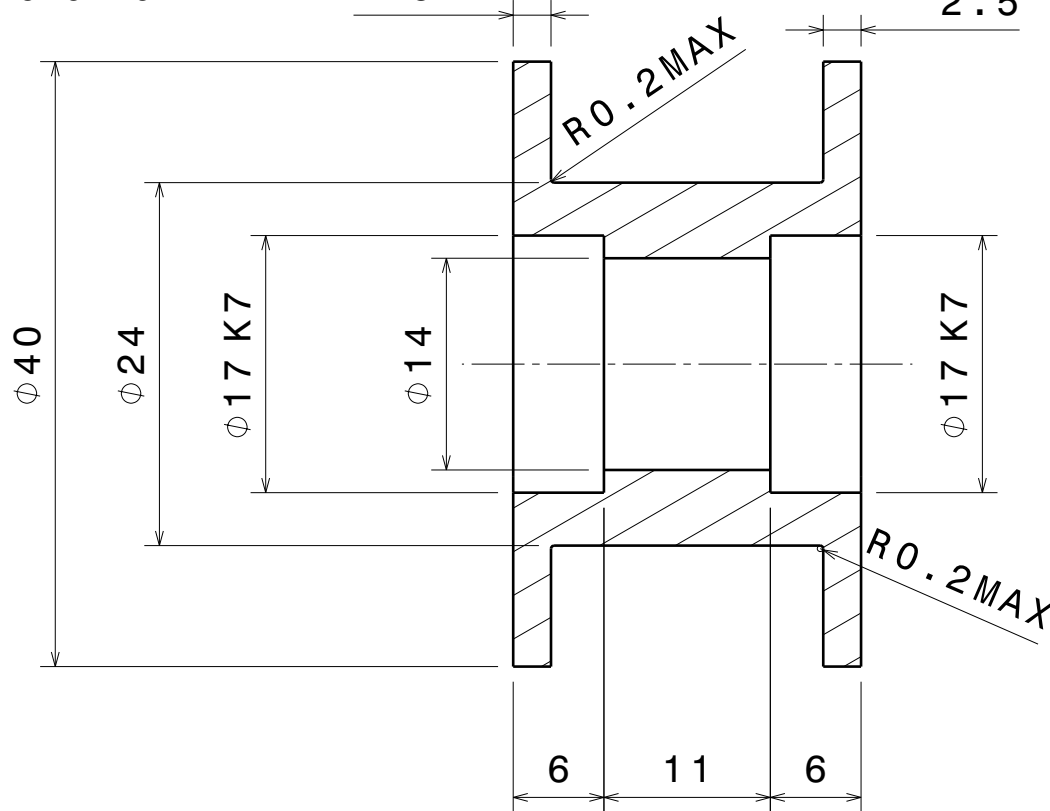


Coupe A-A

Echelle : 2:1 2.5

Vue de face

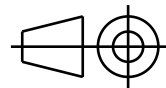
Echelle : 2:1



DESIGNED BY:  
**Godefroy FERRAND**  
 DATE:  
**16/04/2018**

CHECKED BY:  
**XXX**  
 DATE:  
**XXX**

SIZE  
**A4**



**PV3e ESTACA**

SCALE  
**2:1**

Matière :  
**TEFLON**

DRAWING NUMBER  
**Galet tendeur**

SHEET  
**1 / 1**

I	-
H	-
G	-
F	-
E	-
D	-
C	-
B	-
A	-

This drawing is our property; it can't be reproduced or communicated without our written agreement.