

D

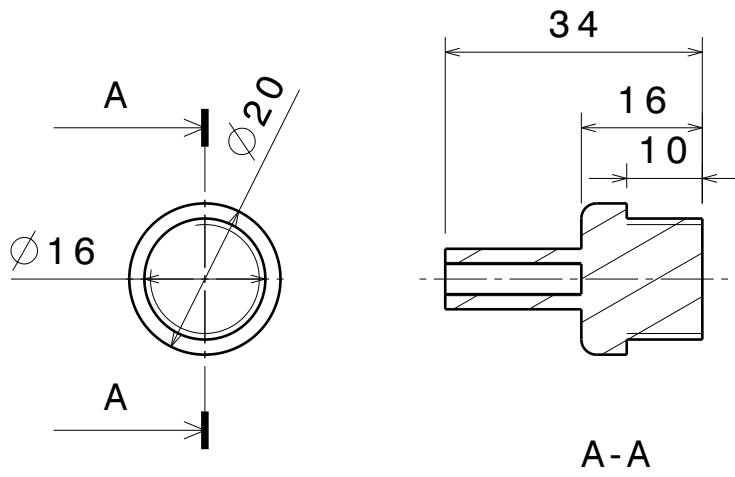
C

B

A

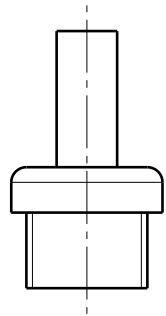
4

4



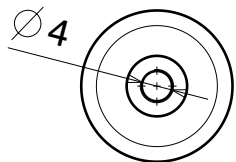
3

3

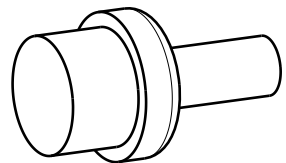


2

2



Chanfrein 2 mm  
 Vue iso  
 Acier brut  
 Taraudage trou M4  
 Filetage D16



1

1

DESIGNED BY:  
**Damien**  
 DATE:  
**Date**

CHECKED BY:  
**Nom Prénom**  
 DATE:  
**Date**

SIZE  
**A4**

SCALE  
**1:1 Poids**

DRAWING NUMBER  
**Référence**

SHEET  
**1 / 1**

I	-
H	-
G	-
F	-
E	-
D	-
C	-
B	-
A	Date

This drawing is our property; it can't be reproduced or communicated without our written agreement.

D

C

B

A