

D

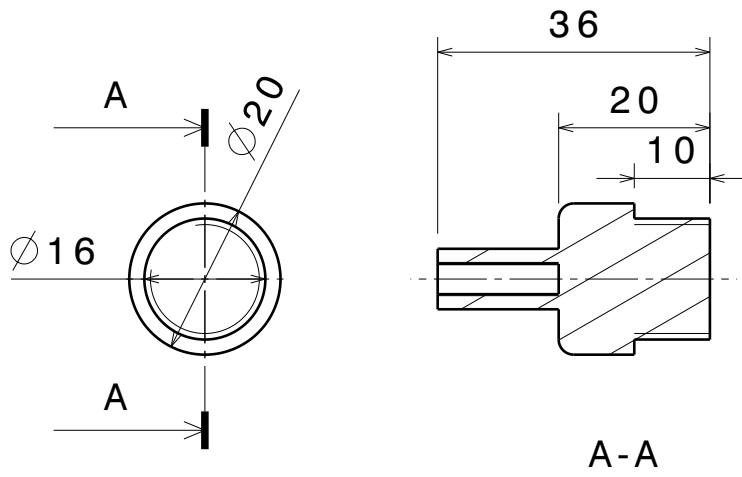
C

B

A

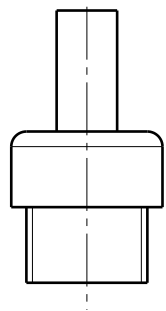
4

4



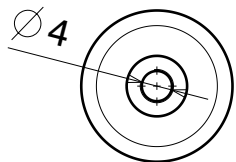
3

3

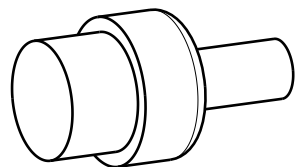


2

2



Chanfrein 2 mm
 Vue iso
 Acier brut
 Taraudage trou M4
 Filetage D16



1

1

DESIGNED BY:
Damien
 DATE:
Date

CHECKED BY:
Nom Prénom
 DATE:
Date

SIZE
A4

SCALE
1:1 Poids

DRAWING NUMBER
Référence

SHEET
1 / 1

I	-
H	-
G	-
F	-
E	-
D	-
C	-
B	-
A	Date

This drawing is our property; it can't be reproduced or communicated without our written agreement.

D

C

B

A