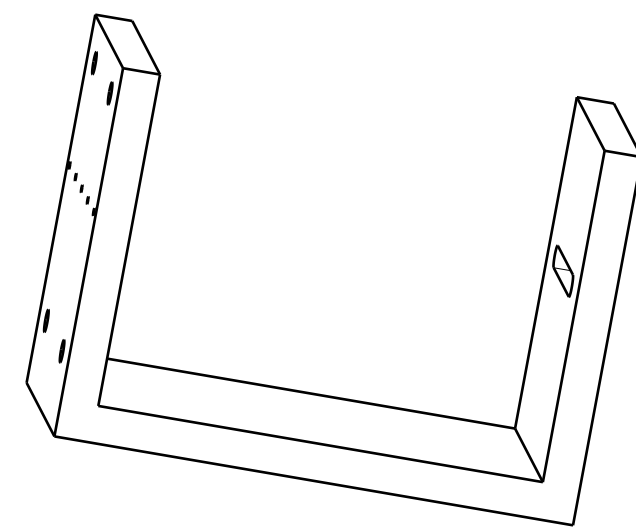


A



Trous M2 Taraudés
Epaisseur 10mm
Acier brute

Vue Iso 1:2

A-A

B-B

DESIGNED BY: Damien			I	-	
DATE: Date			H	-	
CHECKED BY: Nom Prénom			G	-	
DATE: Date			F	-	
SIZE A3				E	-
SCALE 1:1	WEIGHT (kg) Poids	DRAWING NUMBER Référence	SHEET 1/1	D	-
This drawing is our property; it can't be reproduced or communicated without our written agreement.				C	-
				B	-
				A	Date

H

G

B

A

4

3

2

1

4

3

2

1