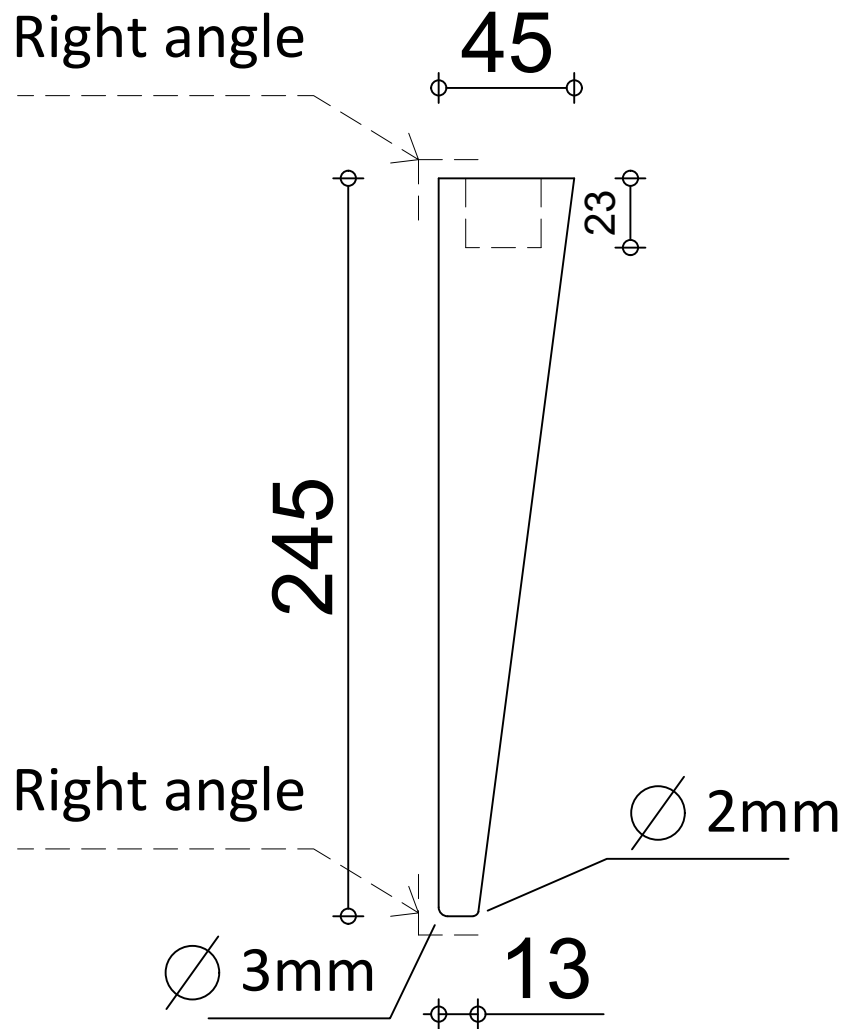


## MODELE A

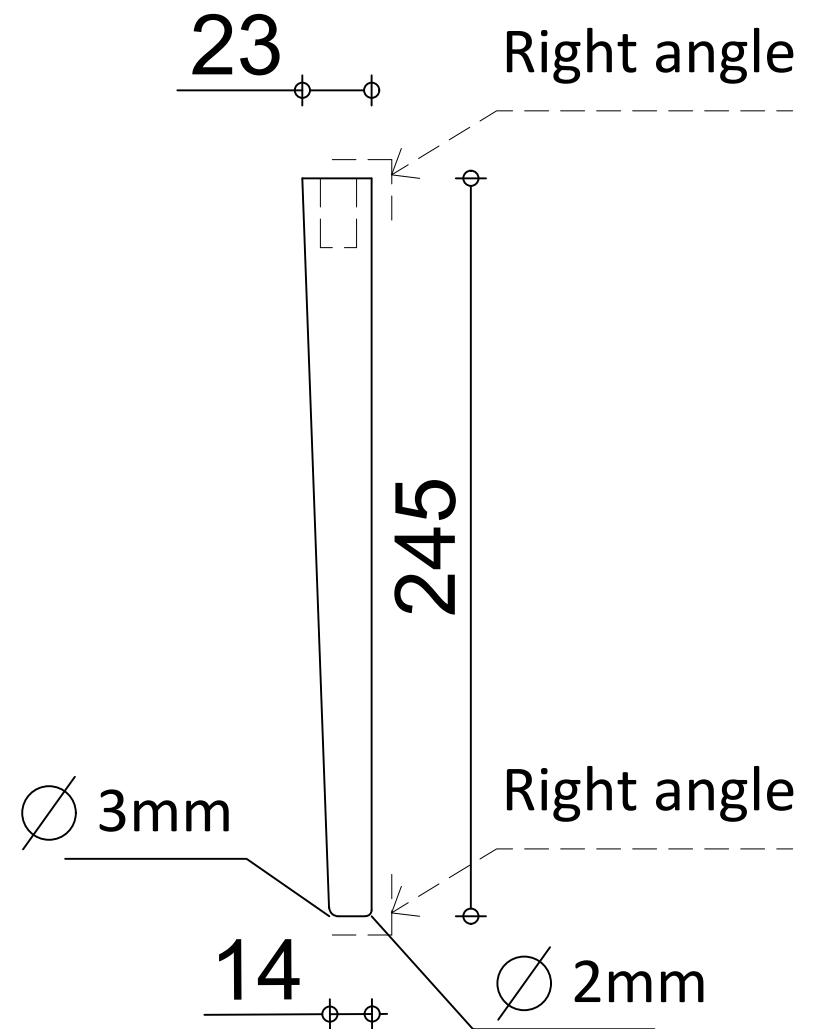
4 PIECES A FAIRE  
MATERIAU : LAITON MASSIF  
UN TROU DANS CHAQUE PIECE (VOIR PLAN)  
TOUS LES ANGLES VIFS LEGEREMENT ADOUCIS  
(PONCES)  
FINITION POLI (MIROIR)

## MODEL A

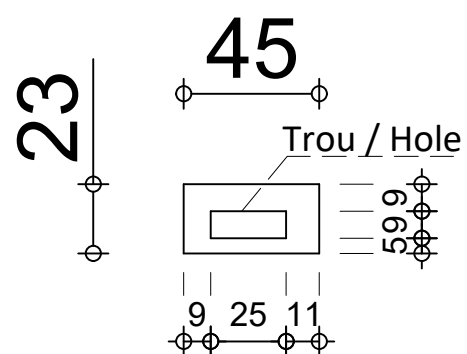
4 PIECES TO DO  
MATERIAL: MASSIVE BRASS  
ONE HOLE IN EACH PIECE (SEE PLAN)  
ALL ANGLES VIFS SLIGHTLY ADOUCISED  
(PONCES)  
POLISHED FINISH (MIRROR)



FRONT VIEW



LEFT VIEW



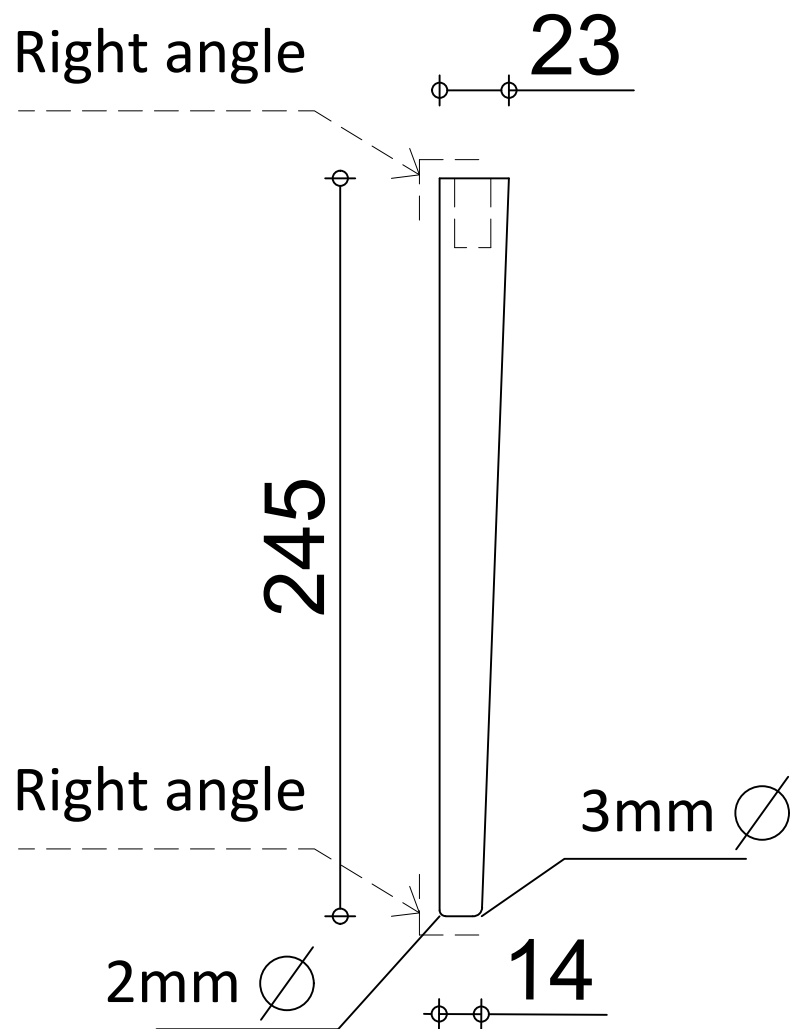
TOP VIEW

## MODELE B

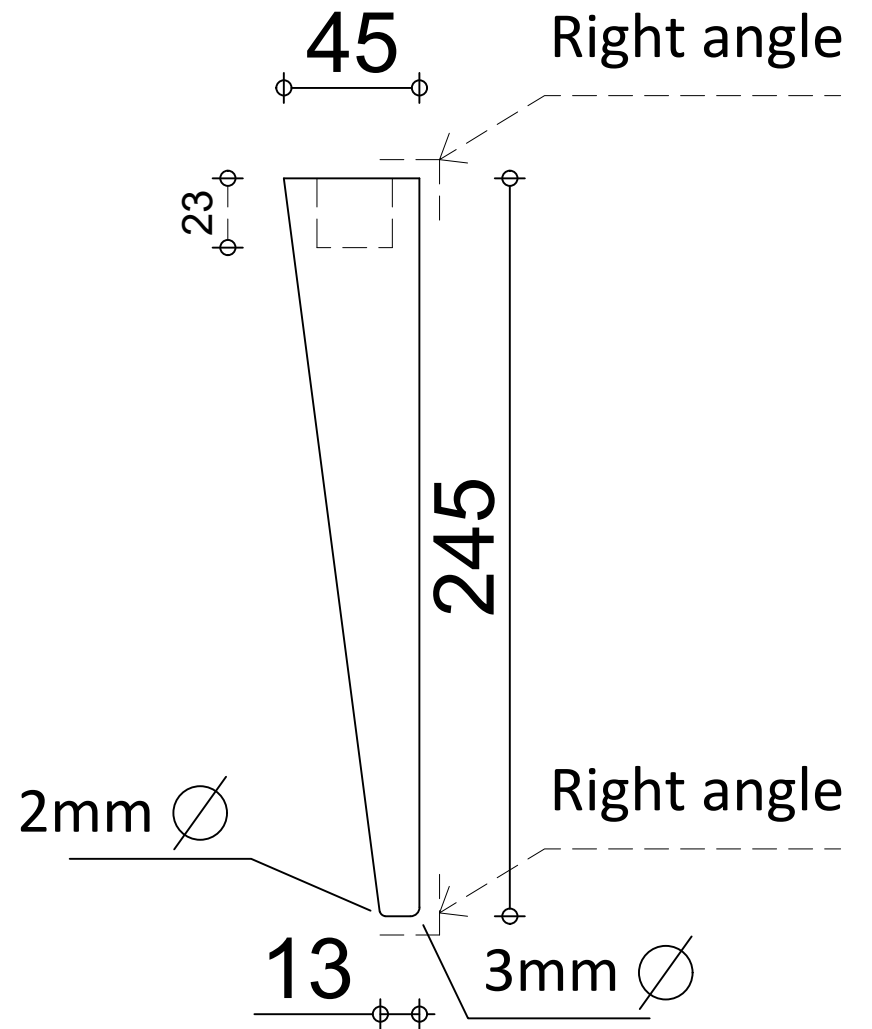
4 PIECES A FAIRE  
MATERIAU : LAITON MASSIF  
UN TROU DANS CHAQUE PIECE (VOIR PLAN)  
TOUS LES ANGLES VIFS LEGEREMENT ADOUCIS  
(PONCES)  
FINITION POLI (MIROIR)

## MODEL B

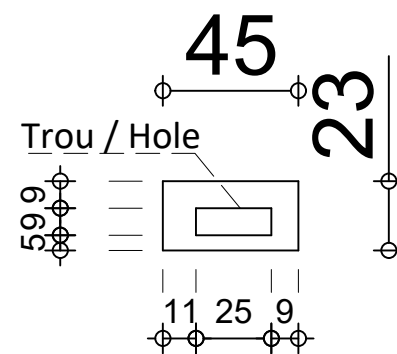
4 PIECES TO DO  
MATERIAL: MASSIVE BRASS  
ONE HOLE IN EACH PIECE (SEE PLAN)  
ALL ANGLES VIFS SLIGHTLY ADOUCISED  
(PONCES)  
POLISHED FINISH (MIRROR)



RIGHT VIEW



FRONT VIEW



TOP VIEW