

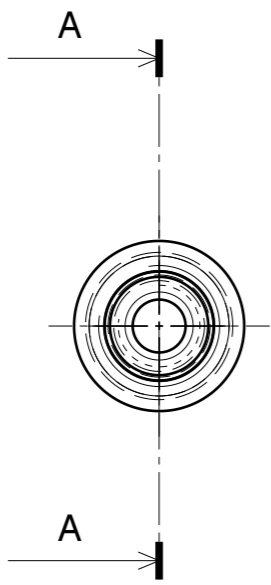
H G F E D C B A

4

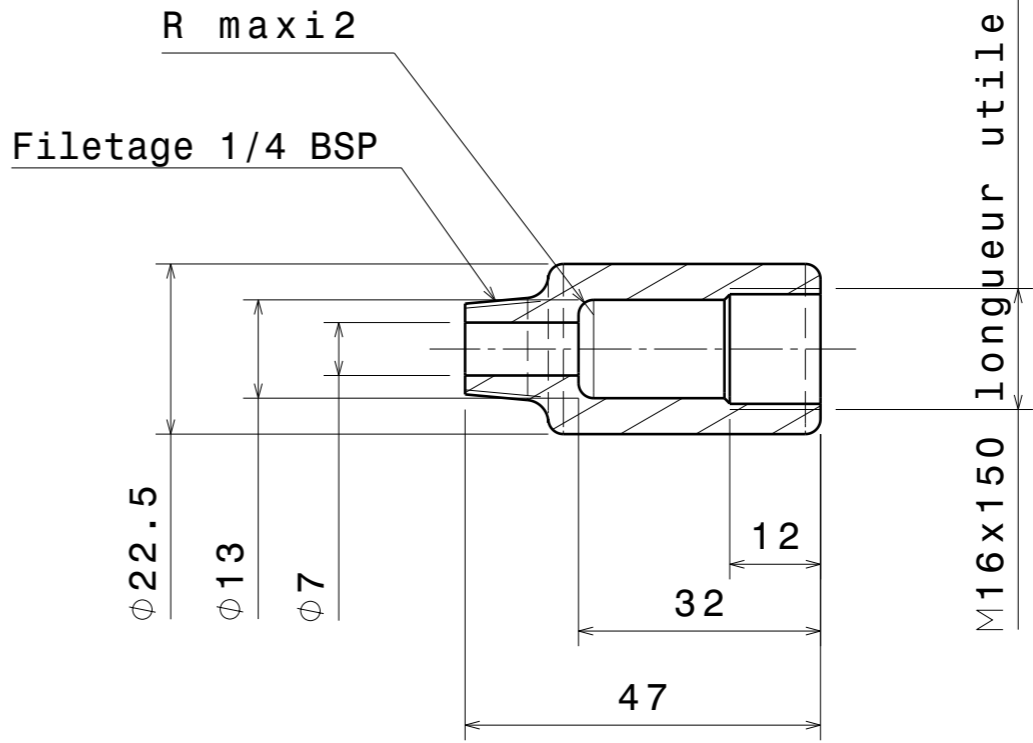
3

2

1



Vue de face
Echelle : 1:1



Coupe A-A
Echelle : 1:1

Matière : Acier ou aluminium
Nombre : 1

DESIGNED BY: U482888		<h1>Adaptateur</h1>		I	-
DATE: 27/02/2018				H	-
CHECKED BY: XXX				G	-
DATE: XXX		<h2>DASSAULT SYSTEMES</h2>		F	-
SIZE: A3				E	-
SCALE: 1:1	WEIGHT (kg): 0,01	DRAWING NUMBER: 1	SHEET: 1/1	D	-
This drawing is our property; it can't be reproduced or communicated without our written agreement.				C	-
				B	-
				A	-

H G B A

4

3

2

1