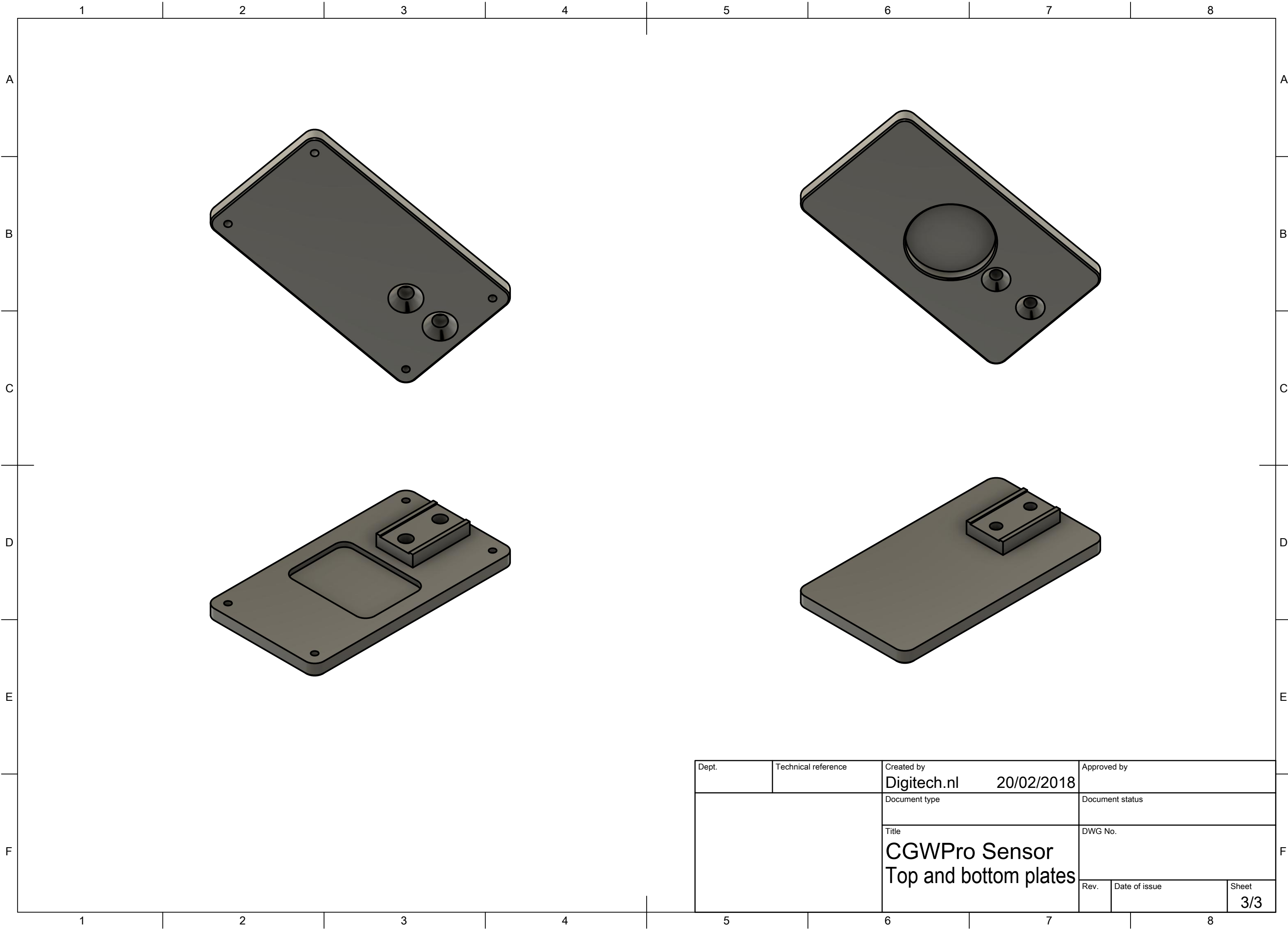


Dept.	Technical reference	Created by Digitech.nl	20/02/2018	Approved by
		Document type	Document status	
		Title CGWPro Sensor Top and bottom plates	DWG No.	
Rev.	Date of issue	Sheet		2/3



Dept.	Technical reference	Created by Digitech.nl 20/02/2018	Approved by
		Document type	Document status
		Title CGWPro Sensor Top and bottom plates	DWG No.
Rev.	Date of issue	Sheet 3/3	