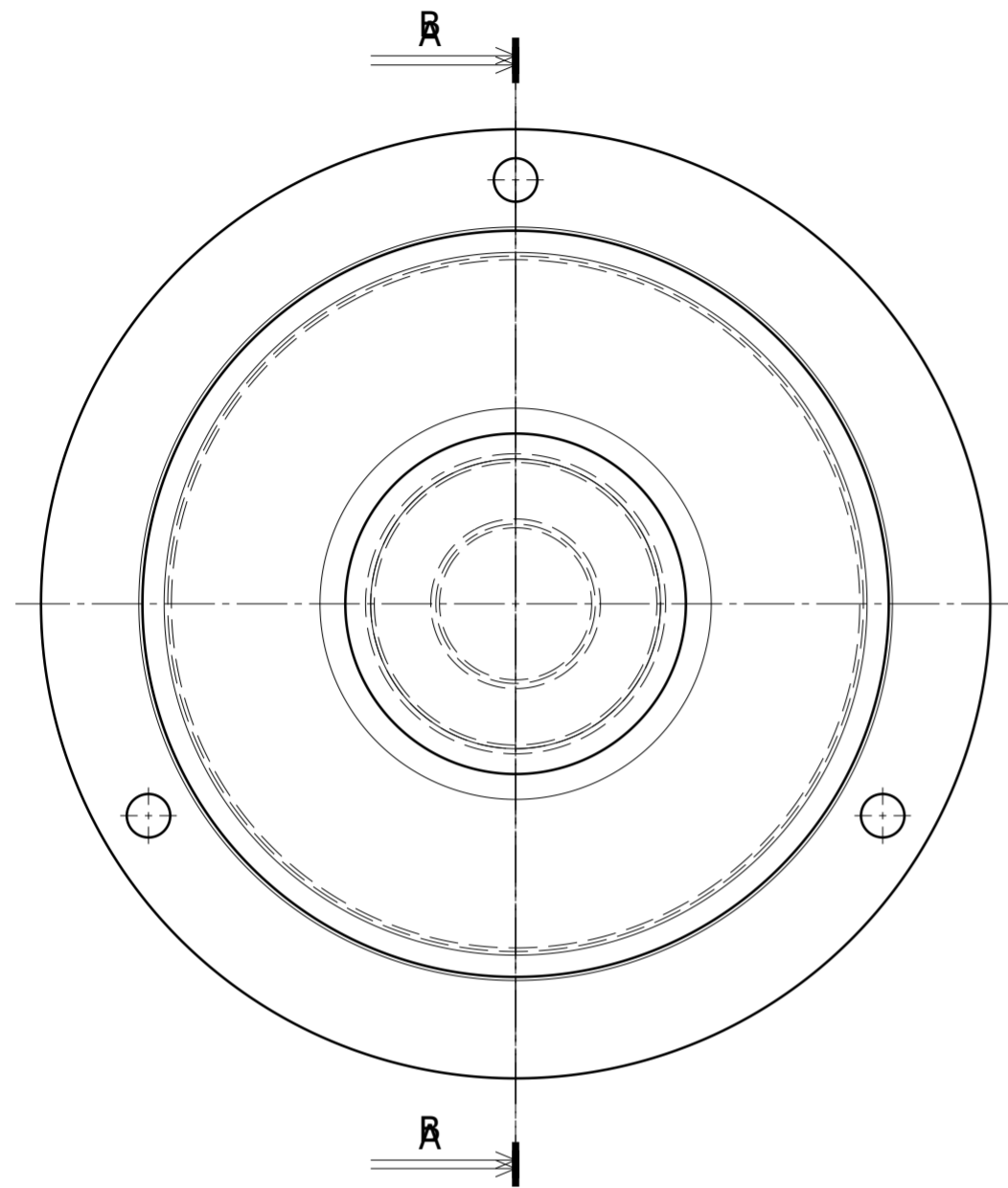
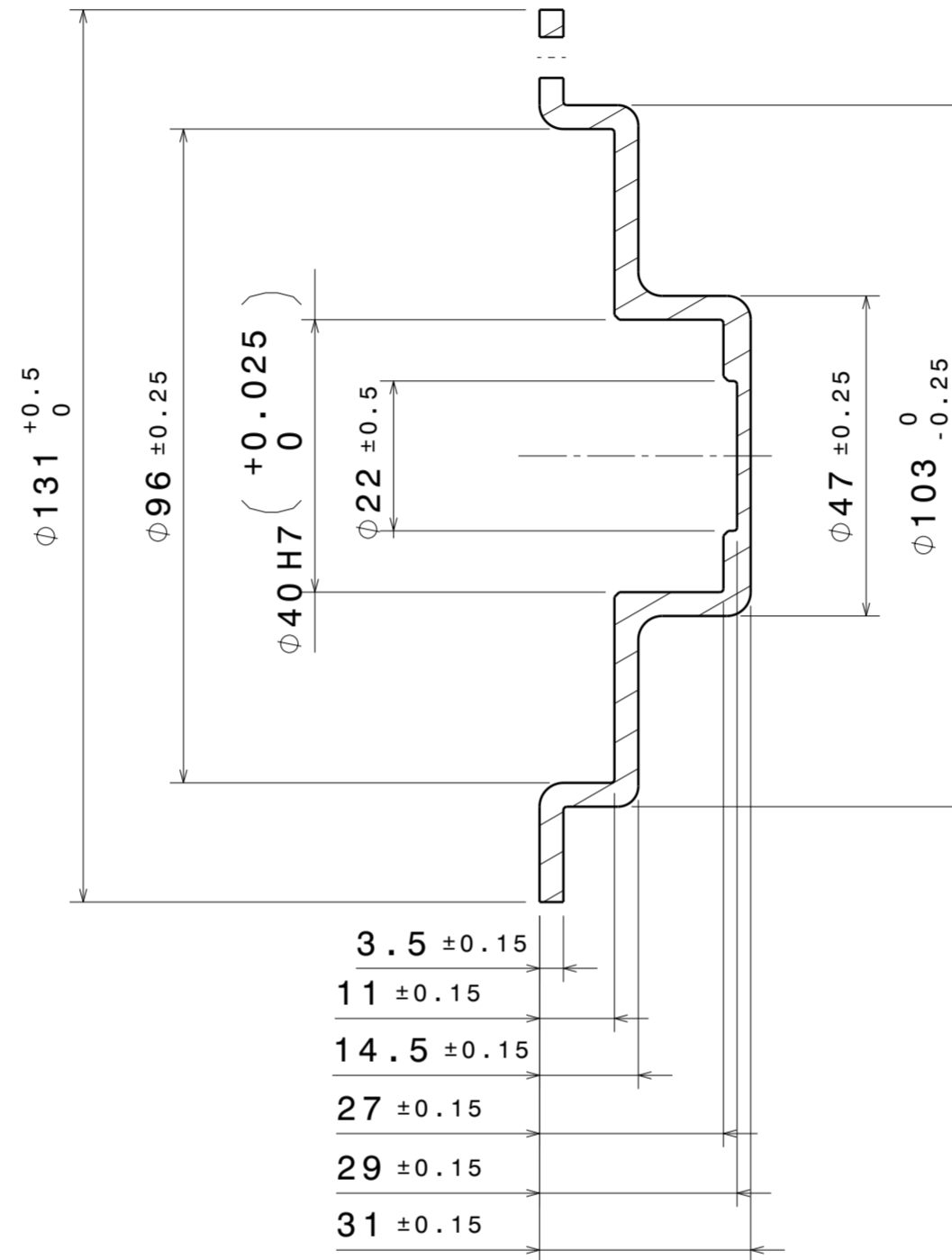


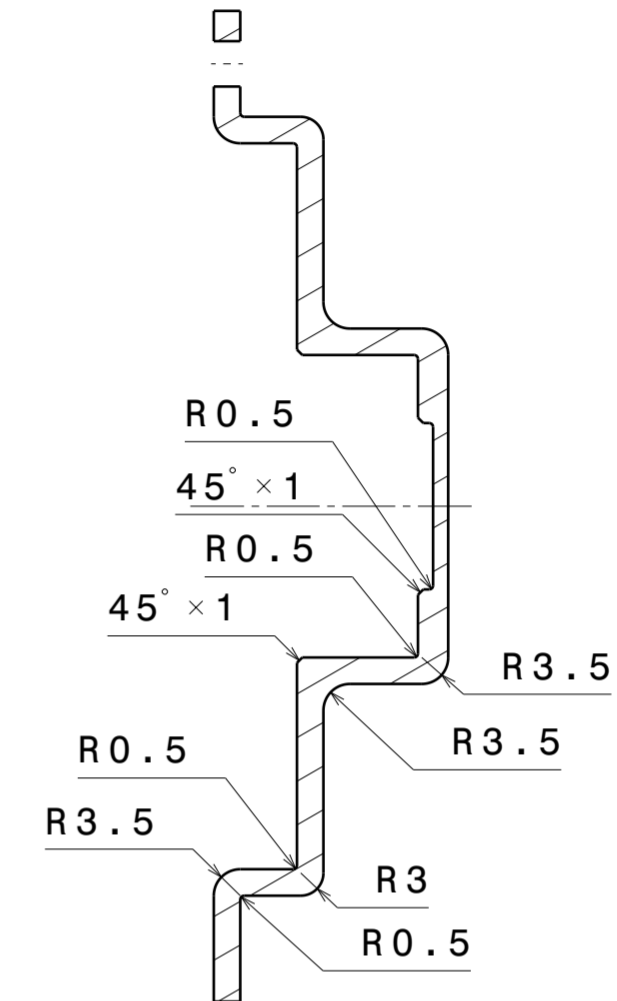
Vue de face  
Echelle : 1:1



Section A-A  
Echelle : 1:1



Section B-B  
Echelle : 1:1



Matière : Aluminium

Nombre : 1

Nota : Ø40 H7 --> Logement roulement

DESIGNED BY: U482888		I	-
DATE: 13/02/2018		H	-
CHECKED BY: XXX		G	-
DATE: XXX		F	-
SIZE: A2		E	-
SCALE: 1:1	WEIGHT (kg): 0,07	D	-
DRAWING NUMBER: 9150416 Carter cible Smot		C	-
SHEET: 1/1		B	-
This drawing is our property; it can't be reproduced or communicated without our written agreement.		A	-