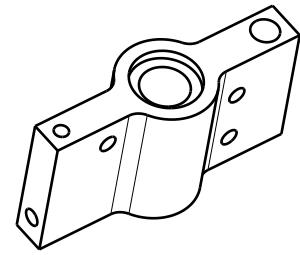
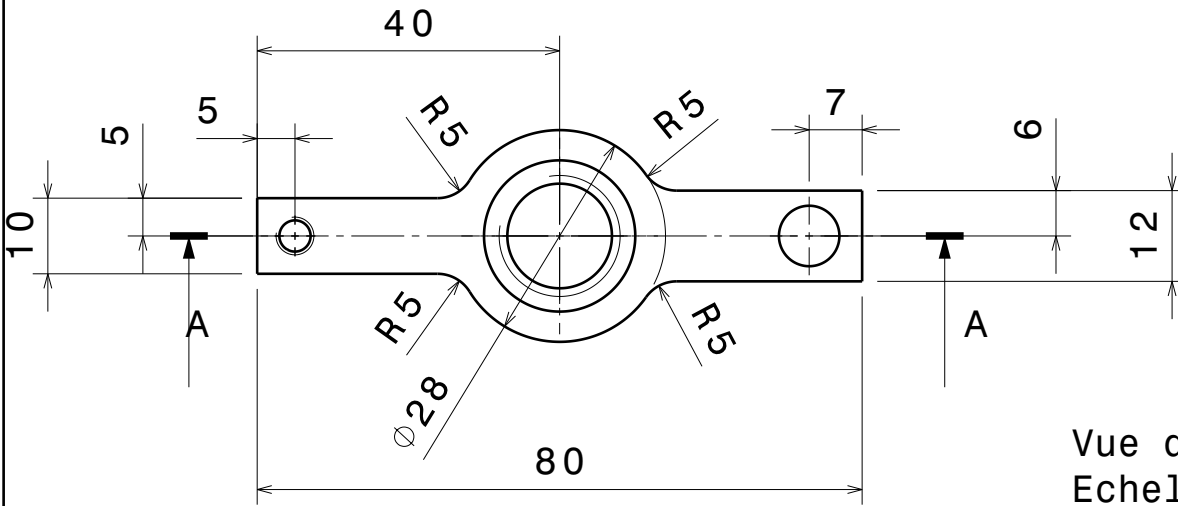
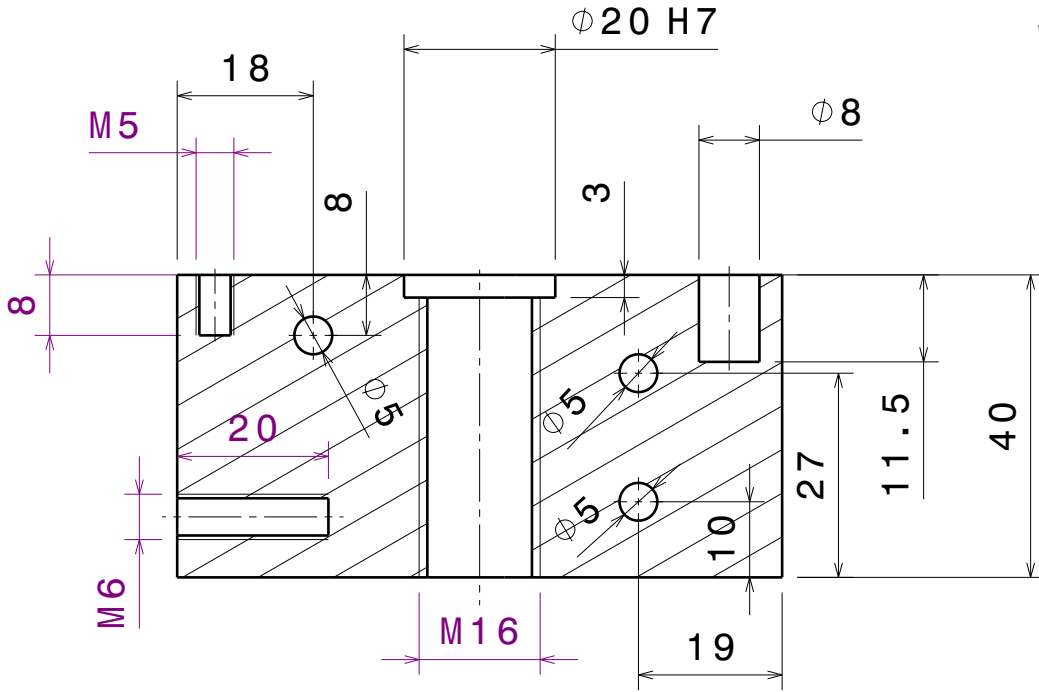


Coupe A-A
Echelle : 1:1



Vue isométrique
Echelle : 1:2

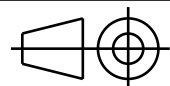


Vue de gauche
Echelle : 1:1

DESIGNED BY:
Godefroy FERRAND
DATE:
27/01/2018

CHECKED BY:
XXX
DATE:
XXX

SIZE
A4



PV3e ESTACA

SCALE
1:1
Matière :
Aluminium

DRAWING NUMBER
Porte fusée V2

SHEET
1/1

I	-
H	-
G	-
F	-
E	-
D	-
C	-
B	-
A	-

This drawing is our property; it can't be reproduced or communicated without our written agreement.

D

A