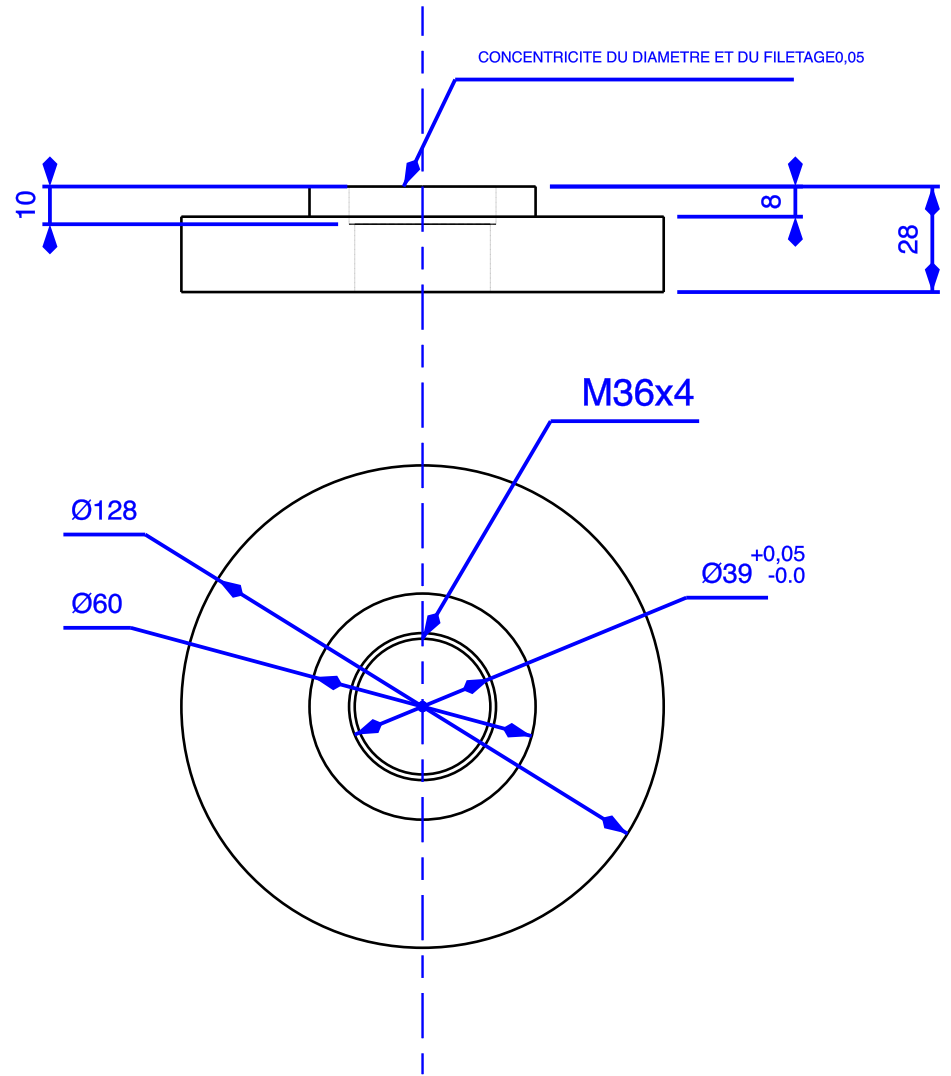
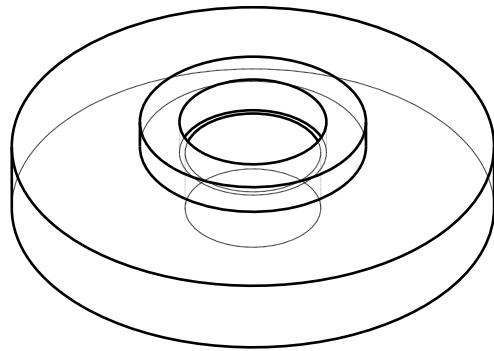


tolérance générale ISO 2768 m

matiere 42 CrMo 4



Created by: <b>AUTHOR NAME</b>	Title: <b>DRAWING TITLE</b>	Size: <b>A4</b>	Sheet: <b>X / Y</b>	Scale: <b>SCALE</b>
Supplementary information:  <b>FreeCAD DRAWING</b>		Part number: <b>PN</b>		Revision: <b>REV A</b>
		Drawing no.: <b>DN</b>		
		Date: <b>DD/MM/YYYY</b>	Date: <b>DD/MM/YYYY</b>	

