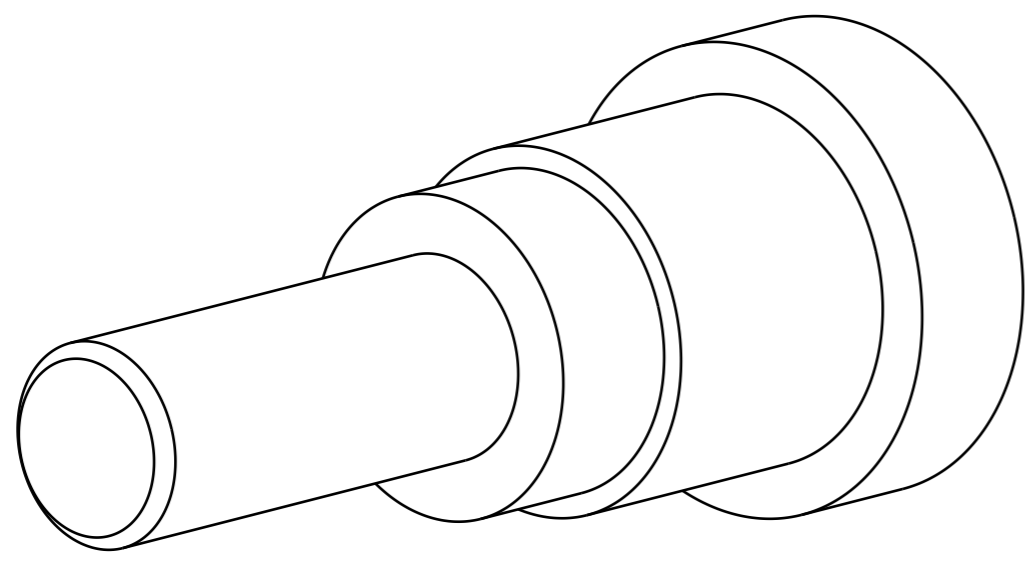
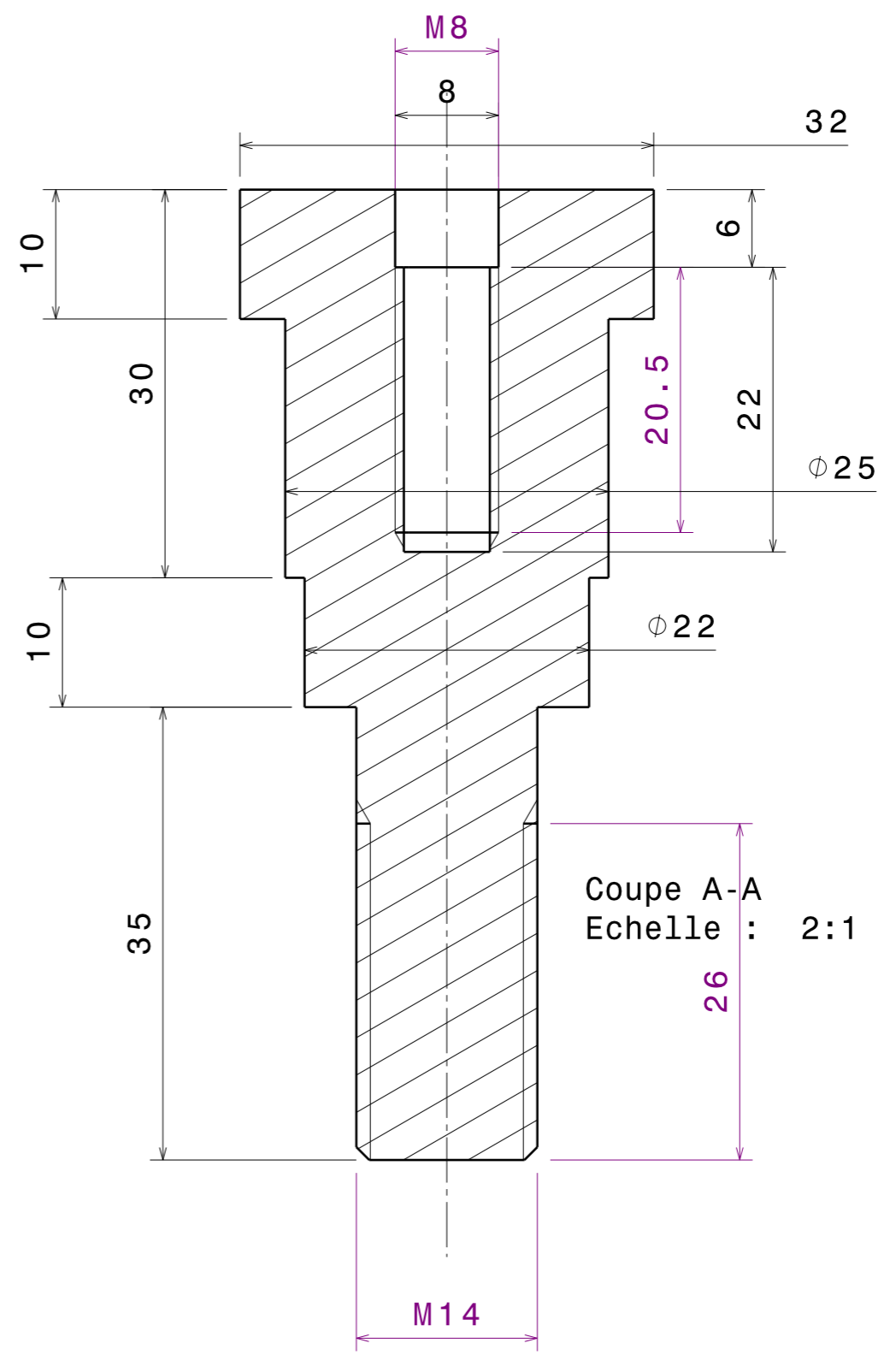


Vue de face
Echelle : 2:1



Vue isométrique
Echelle : 2:1



Coupe A-A
Echelle : 2:1

DESIGNED BY: Antoine Delahaye		<h1>axe galet</h1>		I	-
DATE: 06/11/2017				H	-
CHECKED BY: XXX		<h2>PV3e</h2>		G	-
DATE: XXX				F	-
SIZE: A3		XXX		E	-
SCALE: 1:1				WEIGHT (kg): XXX	D
DRAWING NUMBER: XXX		1/1		C	-
SHEET: 1/1				B	-
This drawing is our property; it can't be reproduced or communicated without our written agreement.				A	-