

D

C

B

A

4

4

3

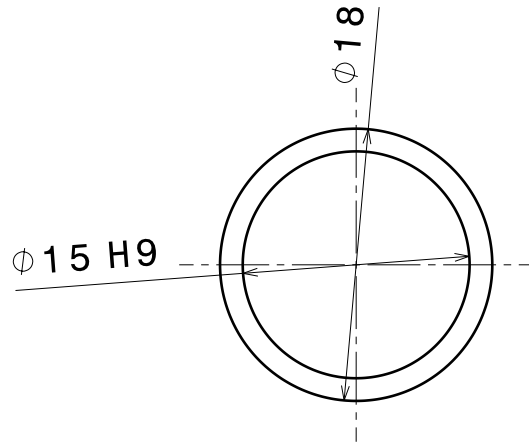
3

2

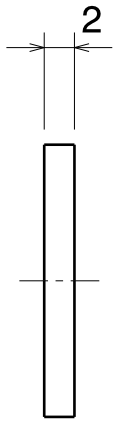
2

1

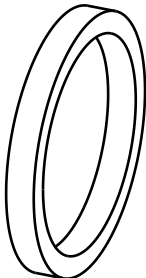
1



Vue de face
Echelle : 2:1



Vue de gauche
Echelle : 2:1



Vue isométrique
Echelle : 2:1

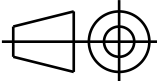
DESIGNED BY:
Antoine Delahaye

DATE:
12/01/2018

CHECKED BY:
XXX

DATE:
XXX

SIZE
A4



SCALE
1:1

WEIGHT (kg)
XXX

Entretoise châssis

PV3e

Aluminium

SHEET
1 / 1

I	-
H	-
G	-
F	-
E	-
D	-
C	-
B	-
A	-

This drawing is our property; it can't be reproduced or communicated without our written agreement.

D

A