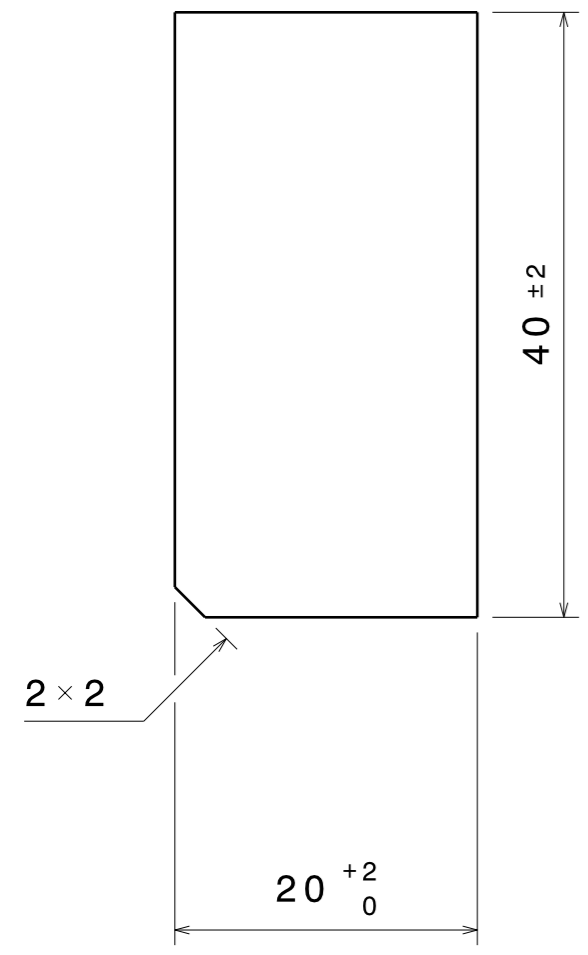
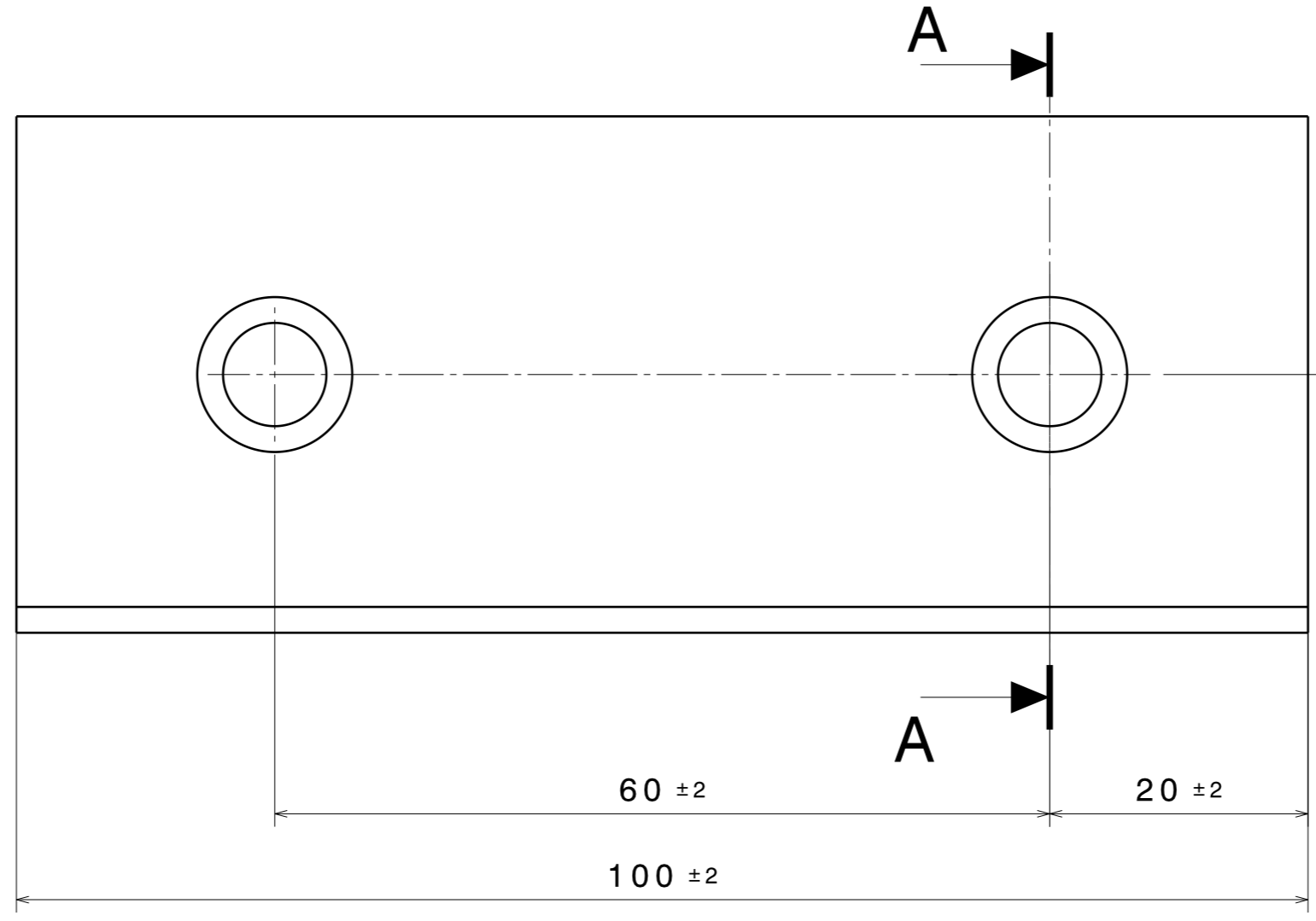


H G F E D C B A

Vue de droite

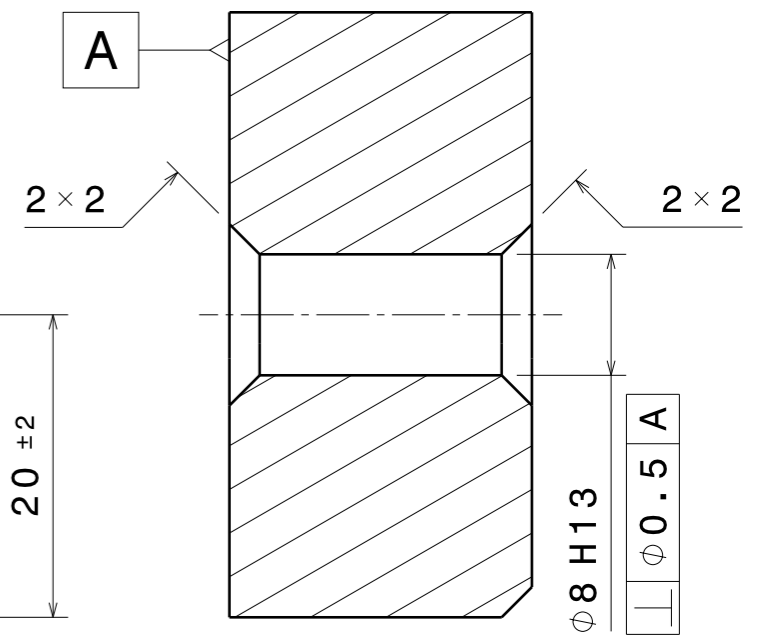


Vue de face



Coupe A-A

Usinage valable 2 fois



NOTA :

- 1- Casser les arêtes vives
- 2- Matière : Acier inoxydable ou galvanisé

This drawing is our property. It can't be reproduced or communicated without our written agreement.		PORTAIL			
		DRAWING TITLE			
DRAWN BY Artifex	DATE 10/12/2017	CALE BUTEE PORTAIL			
CHECKED BY XXX	DATE XXX	SIZE A3	DRAWING NUMBER XXX		REV ---
DESIGNED BY XXX	DATE XXX	SCALE 2:1	WEIGHT (kg) 0.6	SHEET 1/1	

H G B A