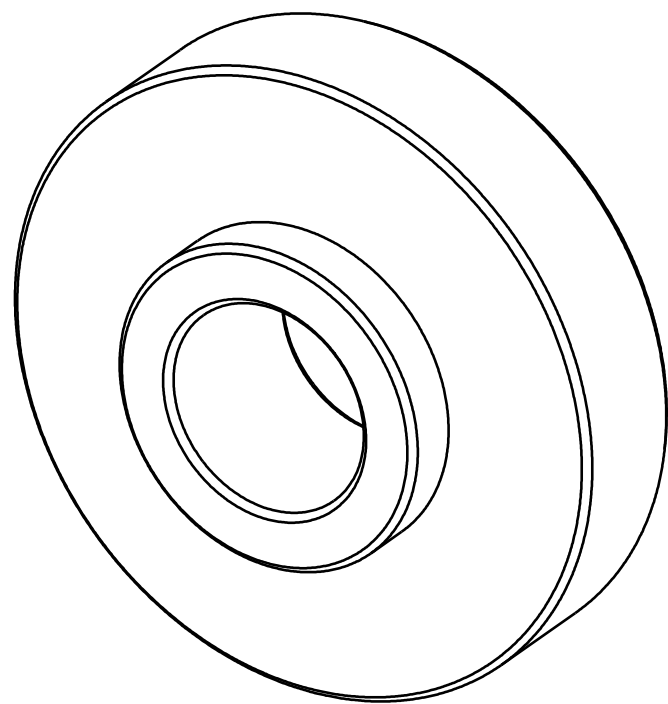
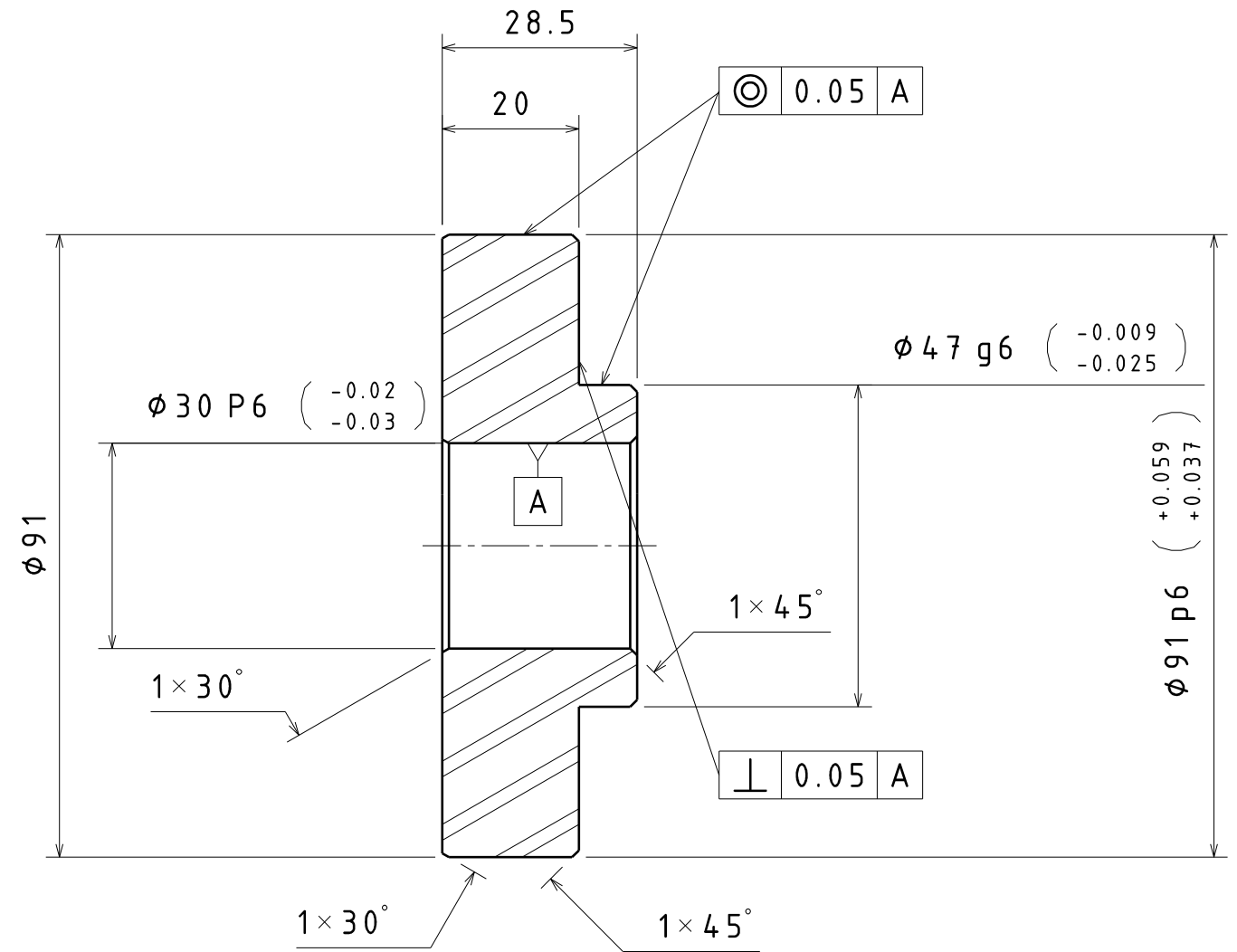


Vue de face
Echelle : 1:1



Vue isométrique
Echelle : 1:1



Coupe F-F
Echelle : 1:1

This drawing is our property. It can't be reproduced or communicated without our written agreement.		SoSex Engineering Banc à inertie		
DRAWN BY Victor		Matière: AU4G ou équivalent Tolérance générale 0.3 sauf mention contraire Rayon d'outil <=0.3		
CHECKED BY XXX	DATE 26/12/2017	SIZE A3	REV X	
DESIGNED BY XXX	DATE xxx	Flasque volant EW8		SHEET 4/5
		SCALE 2:3	WEIGHT(kg) 0,32	