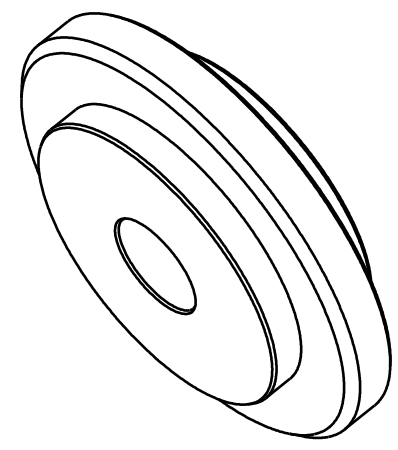
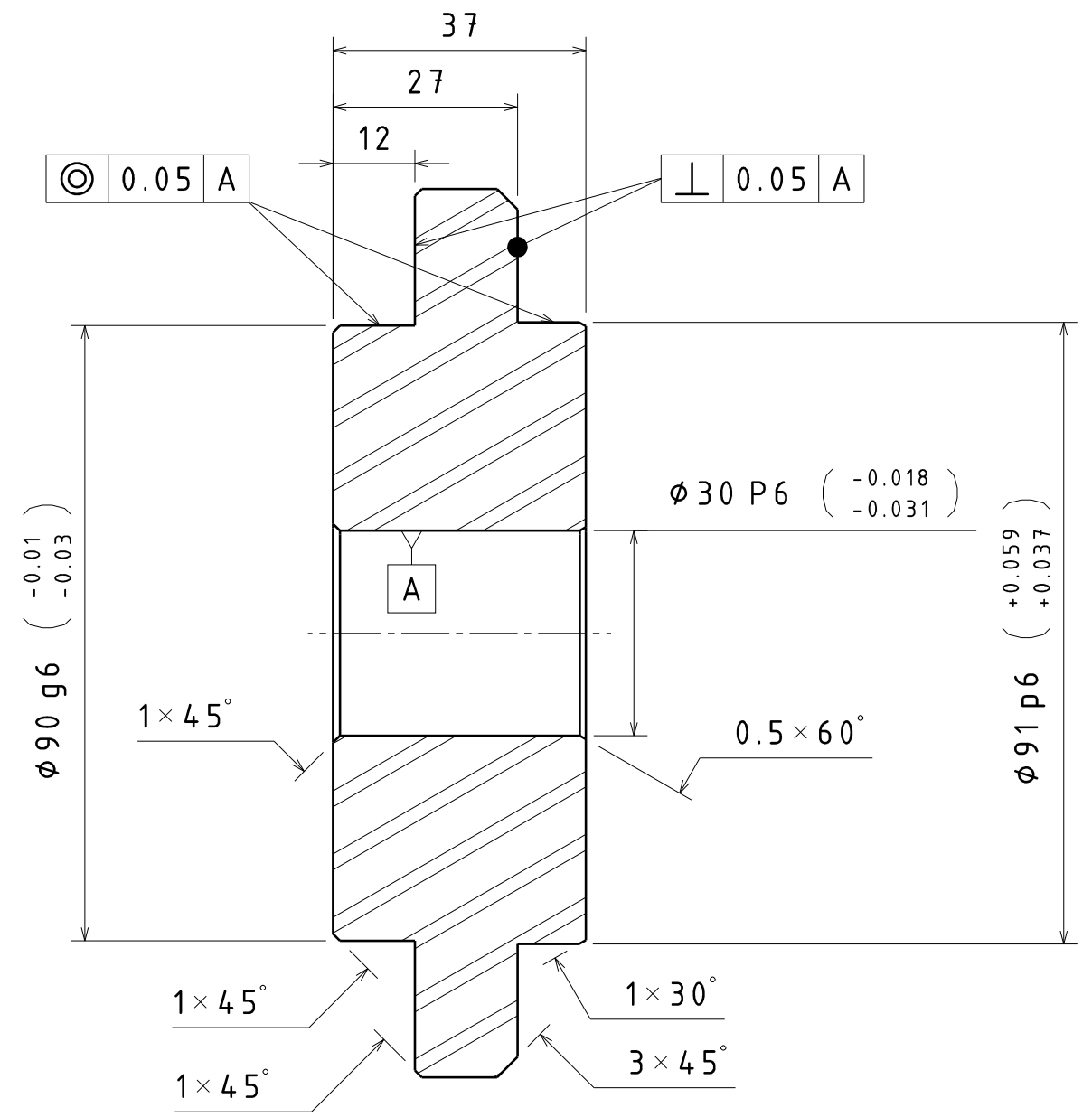


Vue de face  
Echelle : 1:1



Vue isométrique  
Echelle : 1:2



Coupe E-E  
Echelle : 1:1

This drawing is our property. It can't be reproduced or communicated without our written agreement.		<b>SoSex Engineering</b> <b>Banc à inertie</b>		
DRAWN BY <b>Victor</b>		Matière: AU4G ou équivalent Tolérance générale 0.3 sauf mention contraire Rayon d'outil <=0.3		
DATE 26/12/2017	CHECKED BY <b>XXX</b>	DATE xxx	SIZE <b>A3</b>	REV <b>X</b>
DESIGNED BY <b>XXX</b>	DATE xxx	SCALE 2:3	WEIGHT(kg) 0,84	SHEET 3/5