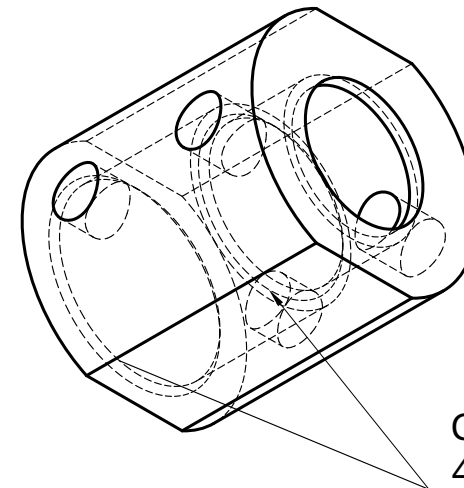
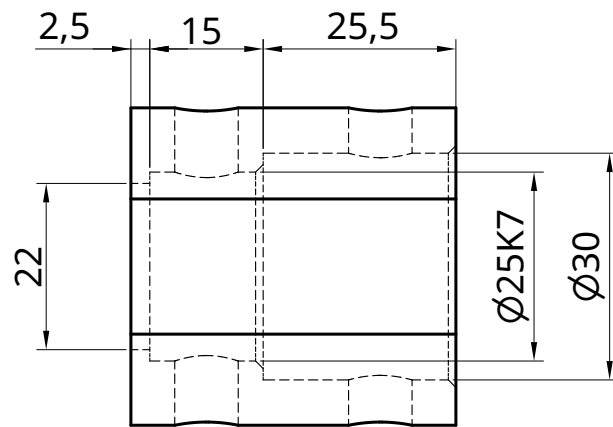
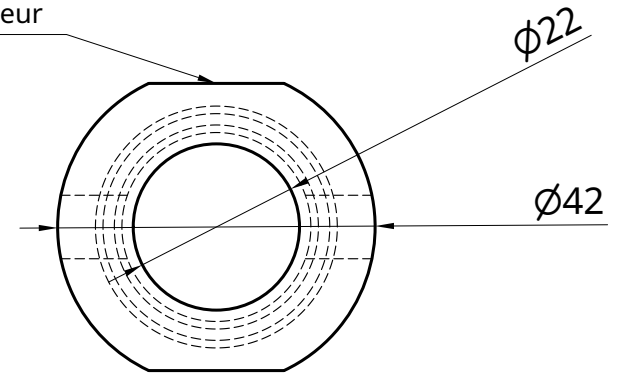
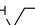



Méplat haut et bas
2 mm de profondeur



Chanfrein 1 mm
45° IMPORTANT

UNLESS OTHERWISE SPECIFIED, DIMENSIONS ARE IN MILLIMETERS ANGULAR = ± ° SURFACE FINISH  DO NOT SCALE DRAWING BREAK ALL SHARP EDGES AND REMOVE BURRS FIRST ANGLE PROJECTION 	NAME	SIGNATURE	DATE	TITLE Cartouche Ressort Moteur ---- Quantité 1
	DRAWN	VINCENT SERES	2018-01-04	
	CHECKED			
	APPROVED			
MATERIAL	FINISH		SIZE	REV.
Acier XC 38			A4	1
SCALE		WEIGHT	SHEET	
1:1			1 of 1	