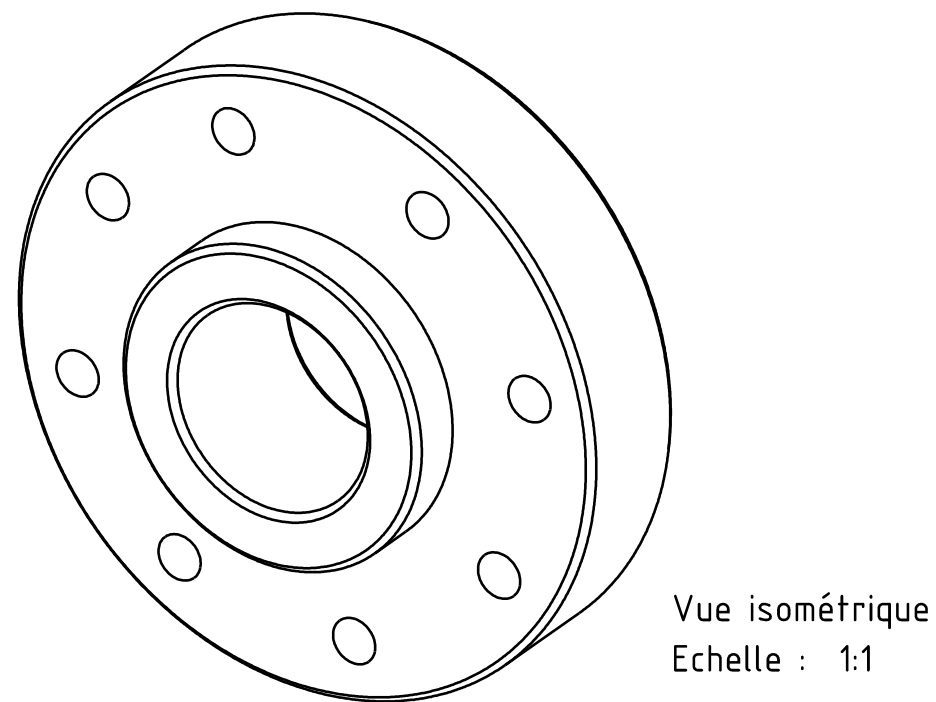


Coupe F-F
Echelle : 1:1



This drawing is our property. It can't be reproduced or communicated without our written agreement.		SoSex Engineering		
		Banc à inertie		
		Matière: AU4G ou équivalent		
		Tolérance générale 0.3 sauf mention contraire		
		Rayon d'outil ≤ 0.3		
DRAWN BY Victor	DATE 26/12/2017	SIZE A3	REV X	
CHECKED BY XXX	DATE xxx	Flasque volant EW8		
DESIGNED BY XXX	DATE xxx	SCALE 2:3	WEIGHT(kg) 0,32	SHEET 4/5