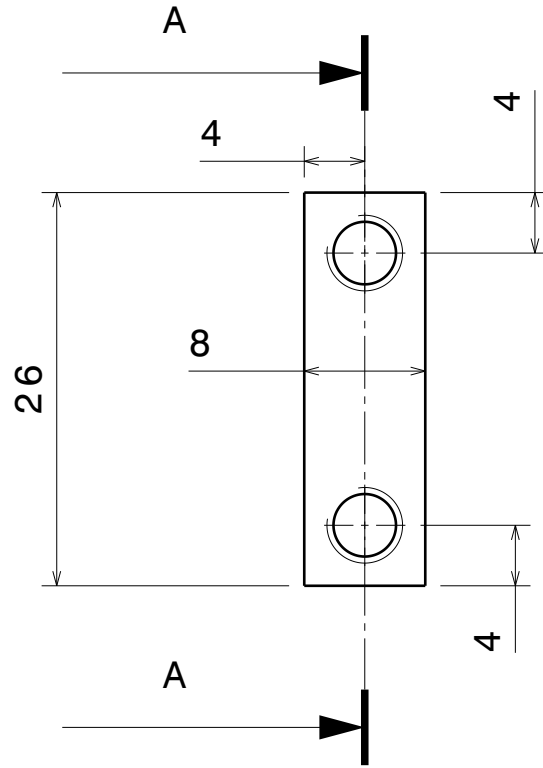
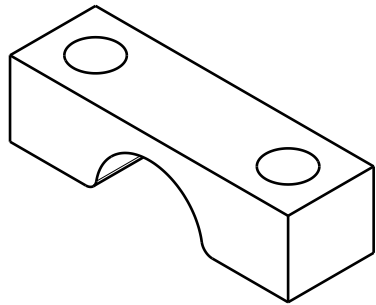
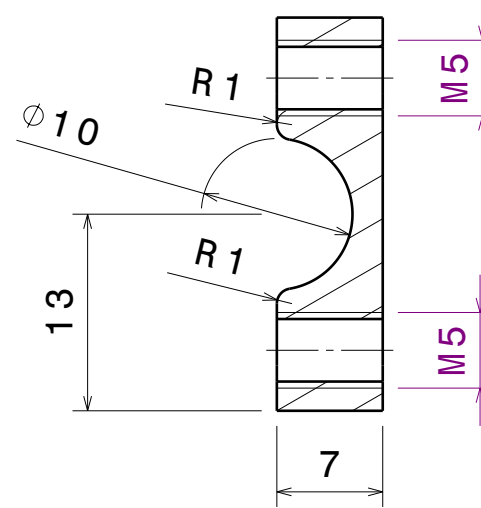


Vue de face
Echelle : 2:1



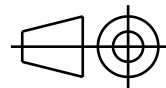
Coupe A-A
Echelle : 2:1



Vue isométrique
Echelle : 2:1

DESIGNED BY:
Godefroy FERRAND
DATE:
29/12/2017

SIZE
A4



SCALE
2:1
Matière :
Aluminium

PV3e ESTACA

DRAWING NUMBER
butée direction fileté

I	-
H	-
G	-
F	-
E	-
D	-
C	-
B	-
A	-

SHEET
1/1

This drawing is our property; it can't be reproduced or communicated without our written agreement.