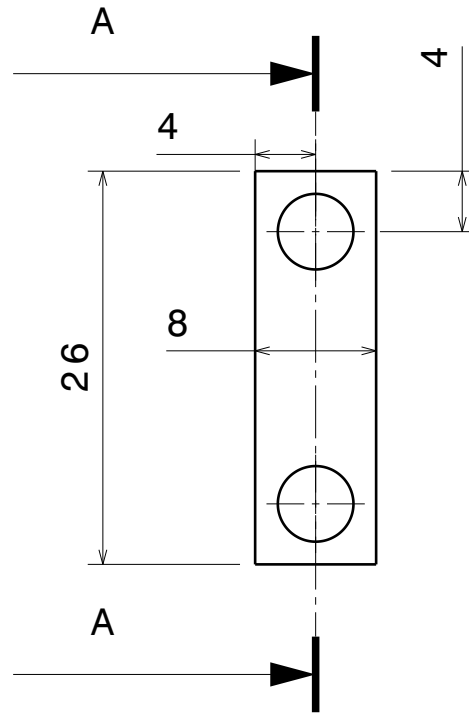
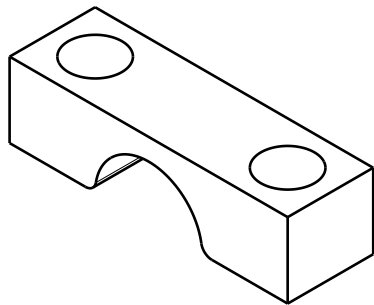
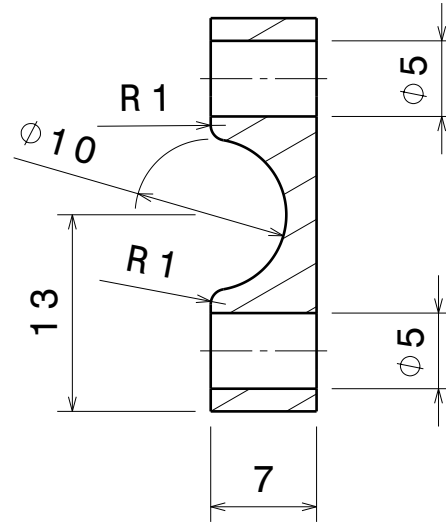


Vue de face
Echelle : 2:1



Coupe A-A
Echelle : 2:1

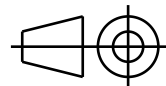


Vue isométrique
Echelle : 2:1

DESIGNED BY:
Godefroy FERRAND
DATE:
29/12/2017

SIZE

A4



SCALE

2:1

Matière

Aluminium

DRAWING NUMBER

butée direction 2

SHEET

1 / 1

PV3e ESTACA

This drawing is our property; it can't be reproduced or communicated without our written agreement.

I	-
H	-
G	-
F	-
E	-
D	-
C	-
B	-
A	-