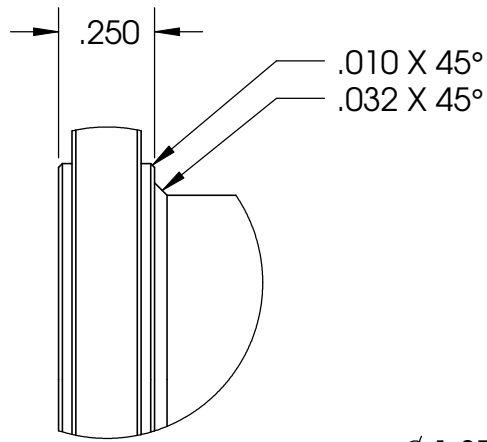
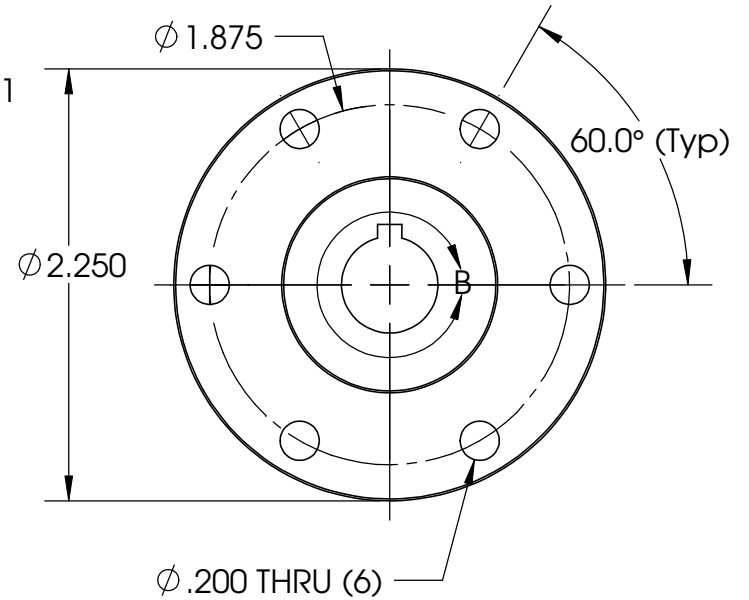
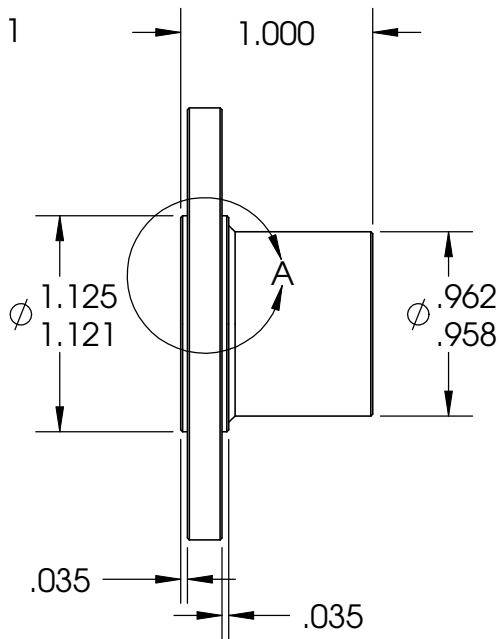
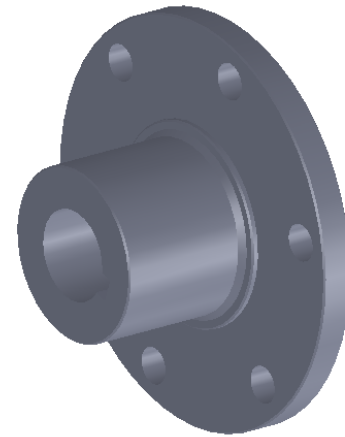


DETAIL B  
SCALE 2 : 1



DETAIL A  
SCALE 2 : 1



**PROPRIETARY AND CONFIDENTIAL**  
THE INFORMATION CONTAINED IN THIS DRAWING IS THE SOLE PROPERTY OF <INSERT COMPANY NAME HERE>. ANY REPRODUCTION IN PART OR AS A WHOLE WITHOUT THE WRITTEN PERMISSION OF <INSERT COMPANY NAME HERE> IS PROHIBITED.

		UNLESS OTHERWISE SPECIFIED:		NAME	DATE	AndyMark, Inc.		
		DIMENSIONS ARE IN INCHES TOLERANCES: FRACTIONAL ± ANGULAR: MACH ± 0.1 BEND ± TWO PLACE DECIMAL ± 0.01 THREE PLACE DECIMAL ± 0.005		DRAWN	ts			05/13
		INTERPRET GEOMETRIC TOLERANCING PER:		CHECKED		TITLE:		
		MATERIAL		ENG APPR.		500 Key Hub		
		6061 Aluminum		MFG APPR.				
NEXT ASSY		USED ON		Q.A.		REV		
				COMMENTS:		SIZE	DWG. NO.	2
						<b>A</b>	am-0077	
APPLICATION		DO NOT SCALE DRAWING				SCALE: 1:1	WEIGHT:	SHEET 1 OF 1