

D

C

B

A

4

4

3

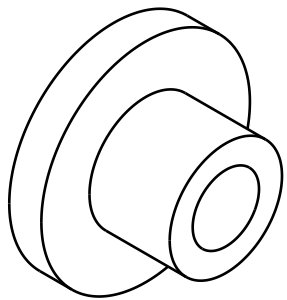
3

2

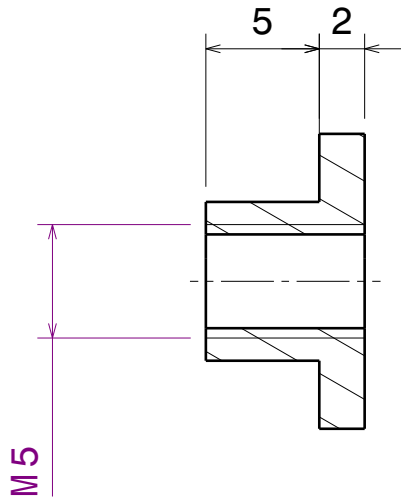
2

1

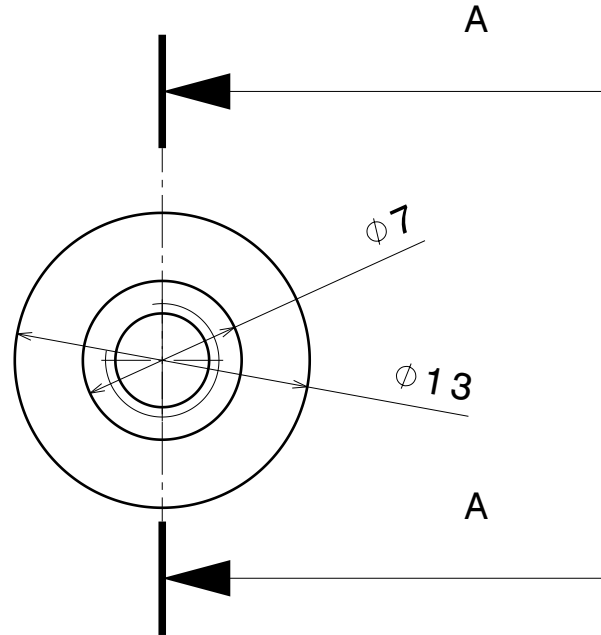
1



Vue isométrique  
Echelle : 3:1



Coupe A-A  
Echelle : 3:1

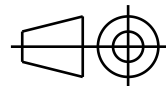


Vue de dessus  
Echelle : 3:1

DESIGNED BY:  
**Godefroy FERRAND**  
DATE:  
**05/12/2017**

Tolérance générale  
**+/- 0.05**  
DATE:  
**XXX**

SIZE  
**A4**



SCALE  
**3:1**

Matière  
**Aluminium**

DRAWING NUMBER  
**insert 2 excentrique**

SHEET  
**1 / 1**

I	-
H	-
G	-
F	-
E	-
D	-
C	-
B	-
A	-

This drawing is our property; it can't be reproduced or communicated without our written agreement.

D

A