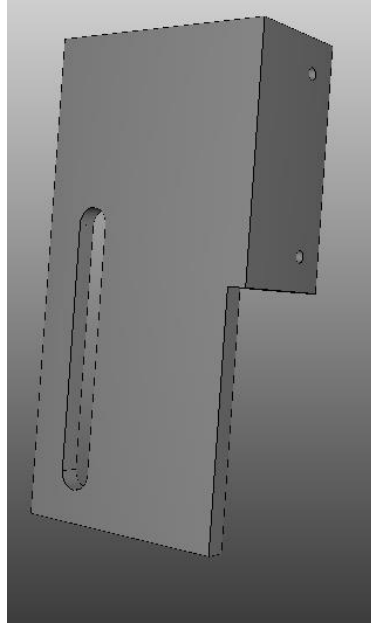
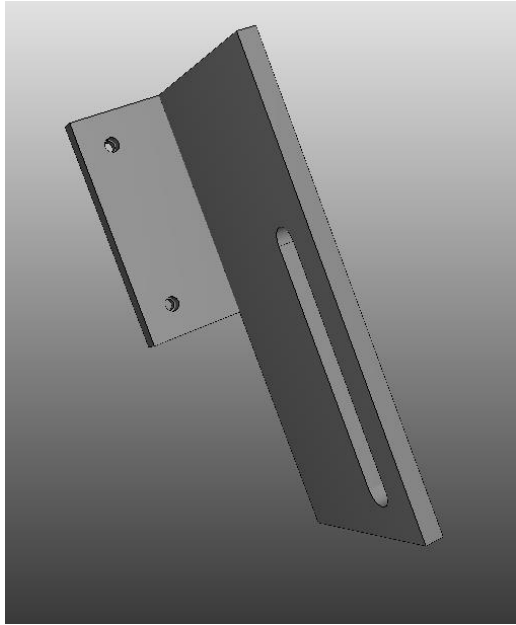
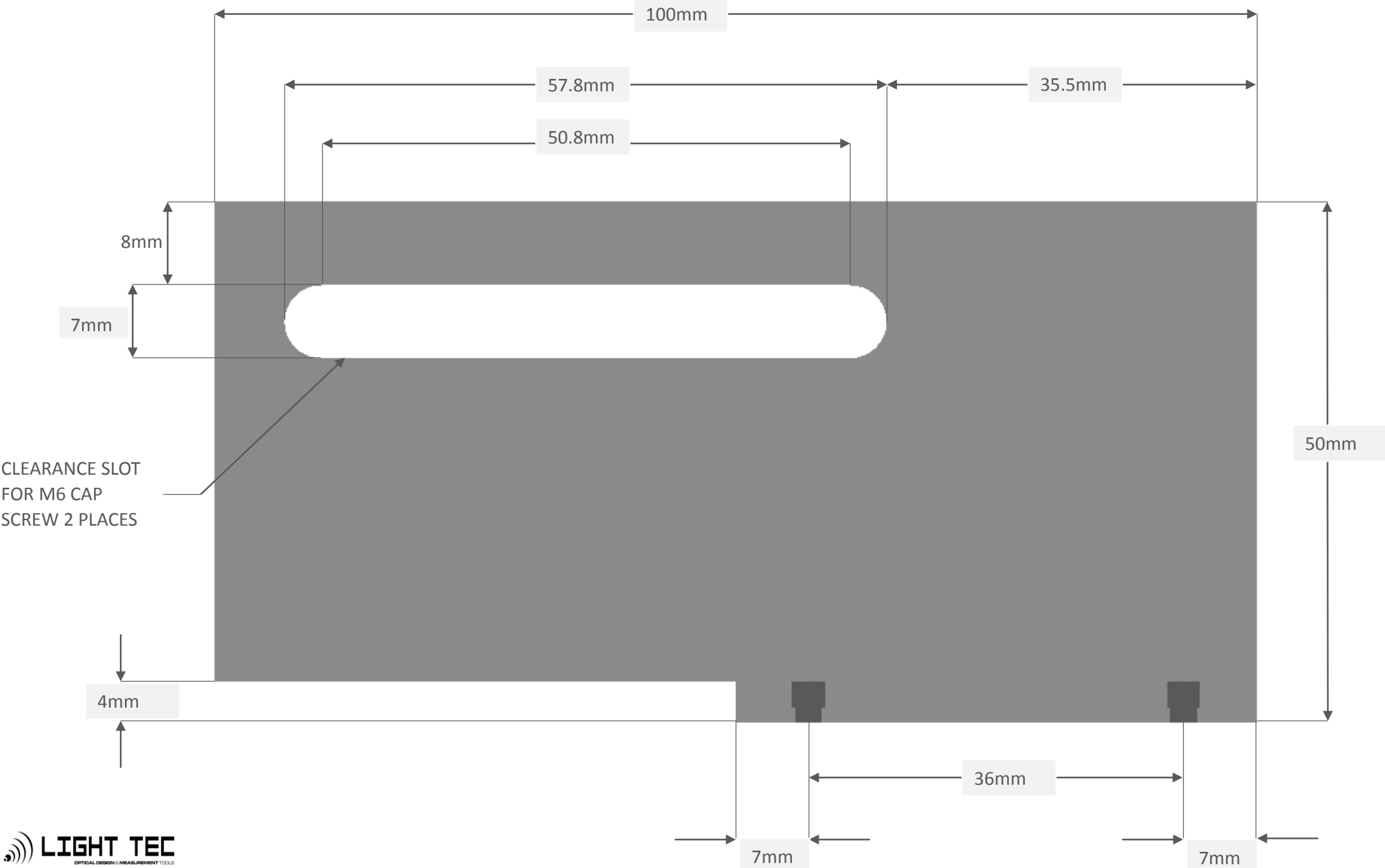
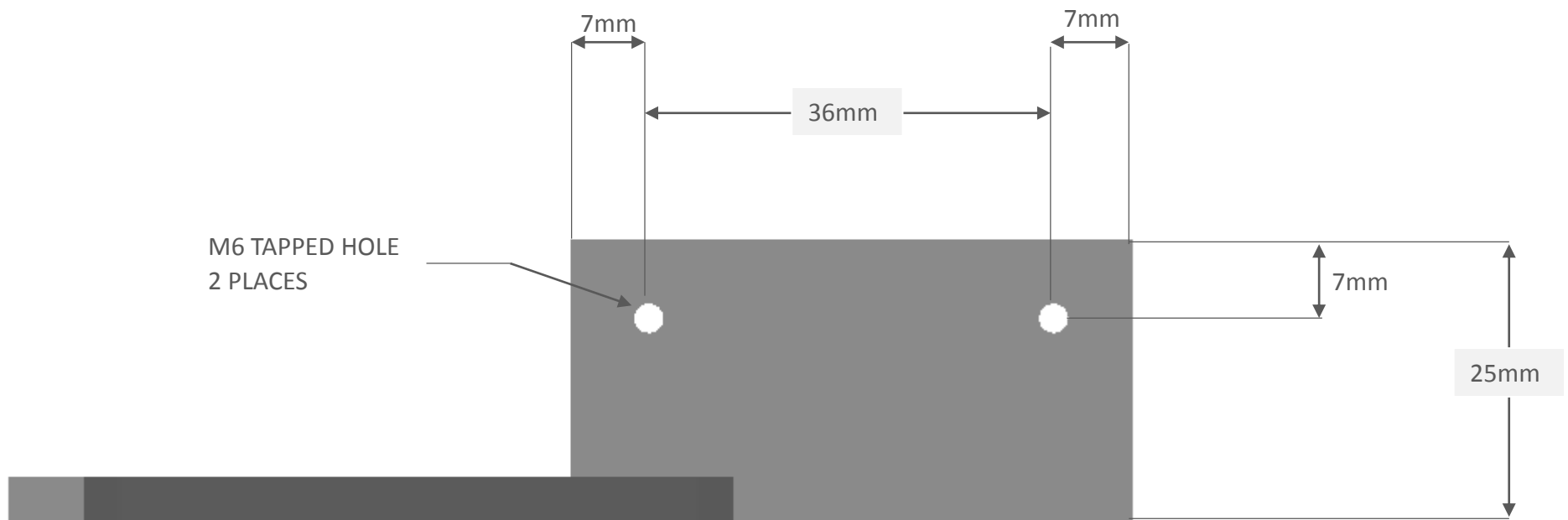


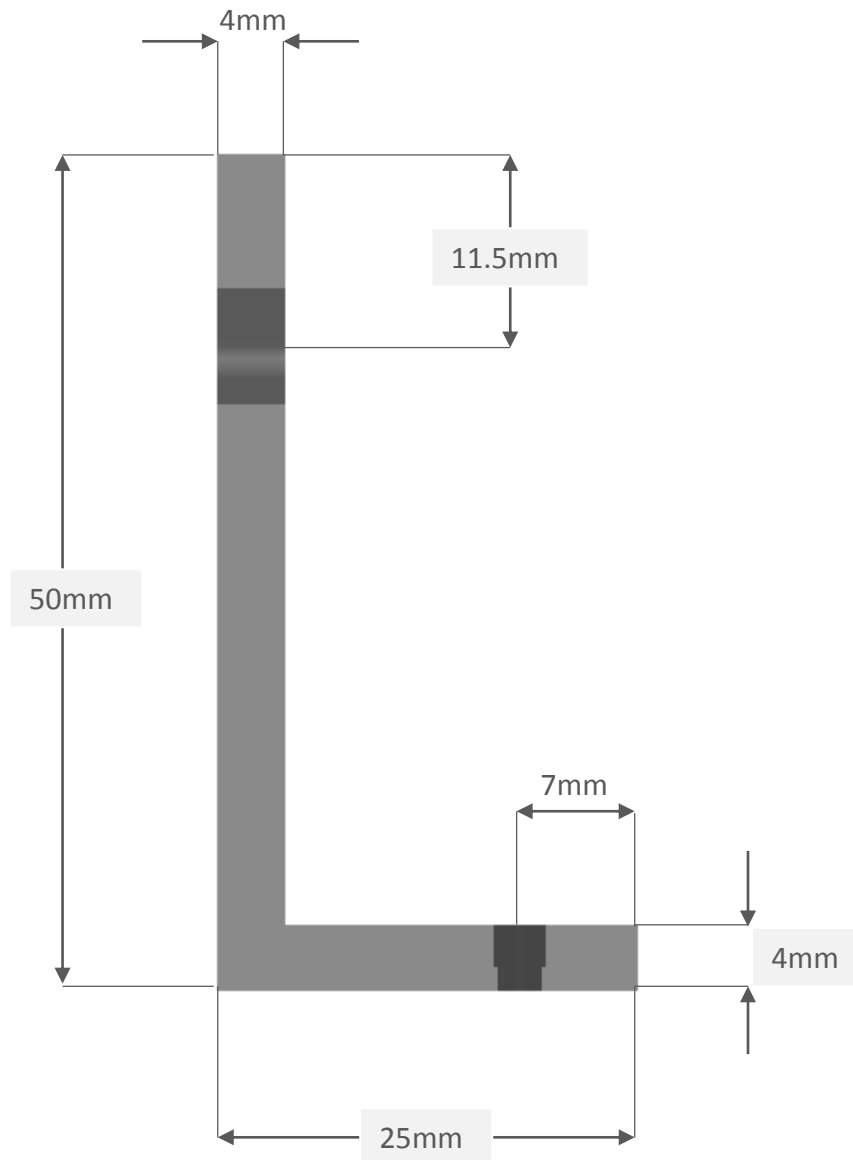
Right Angle Bracket A



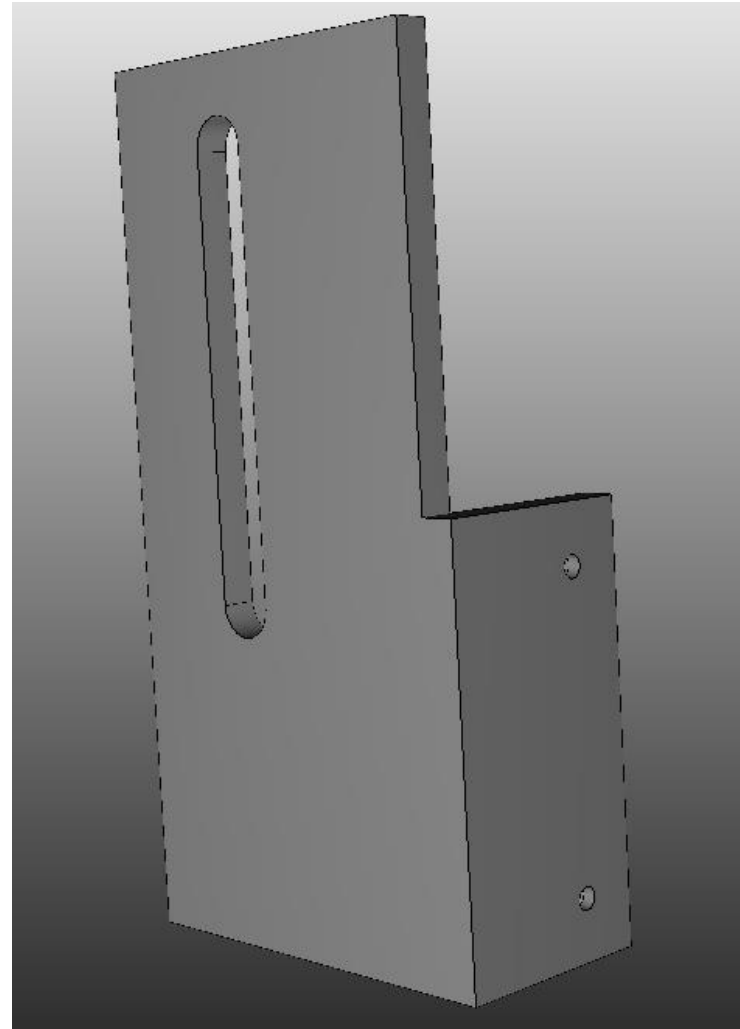
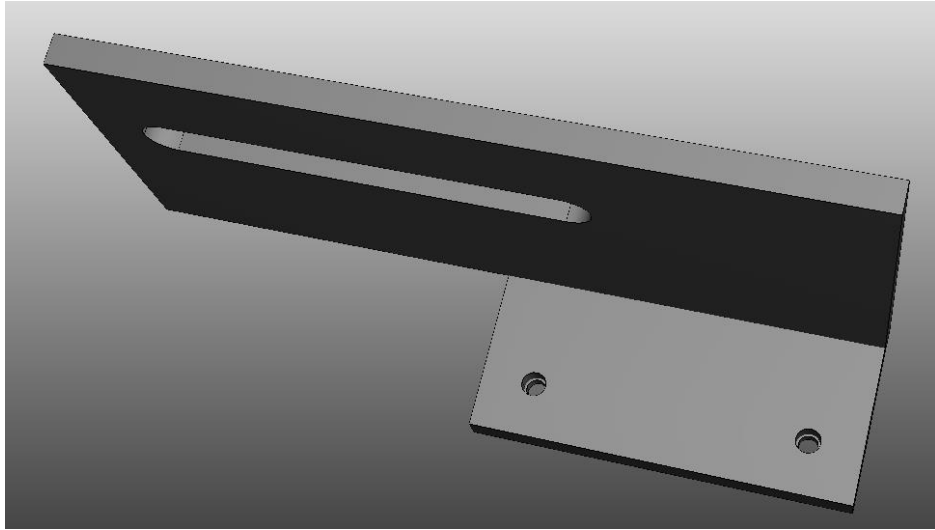


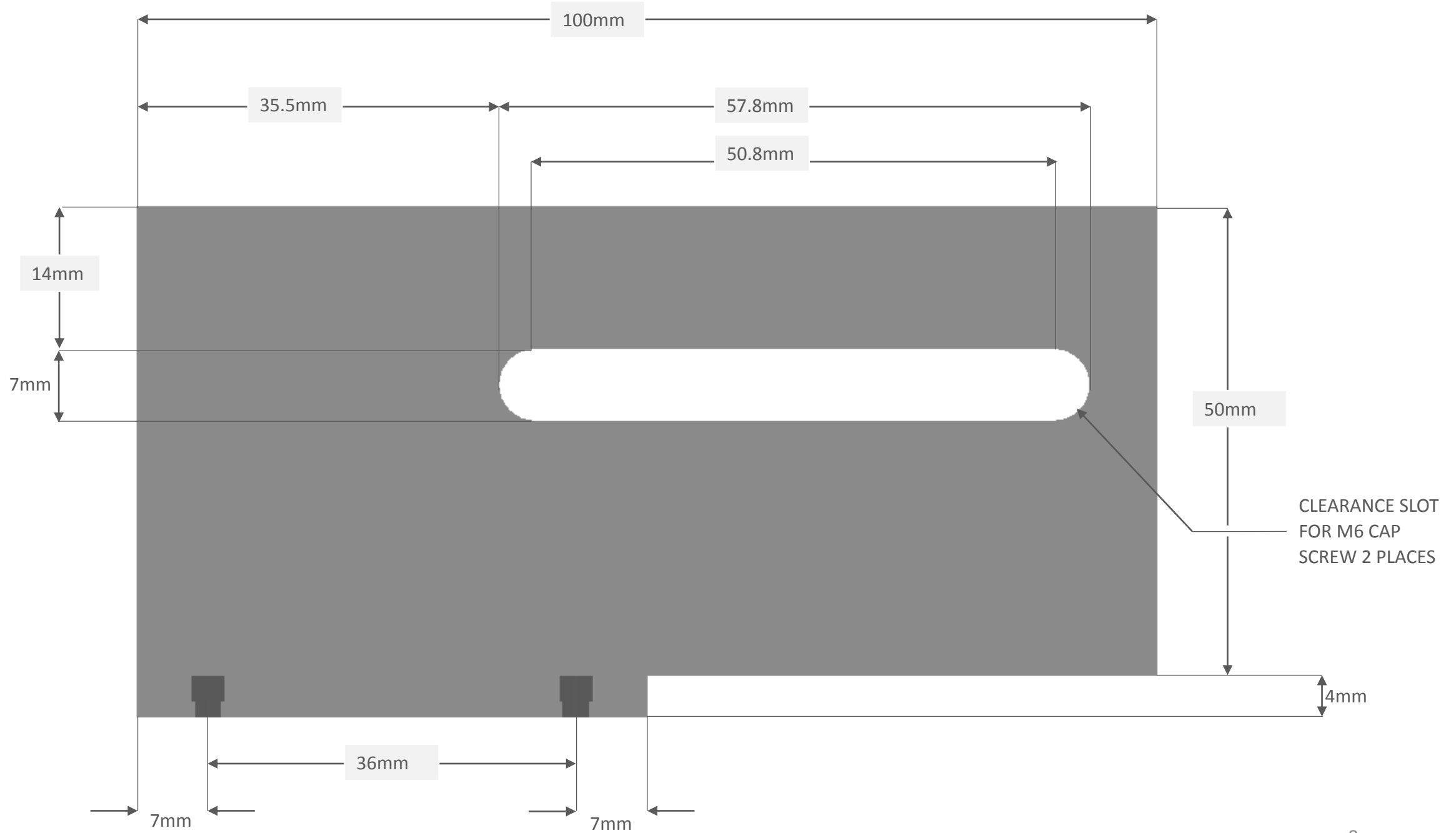
CLEARANCE SLOT
FOR M6 CAP
SCREW 2 PLACES



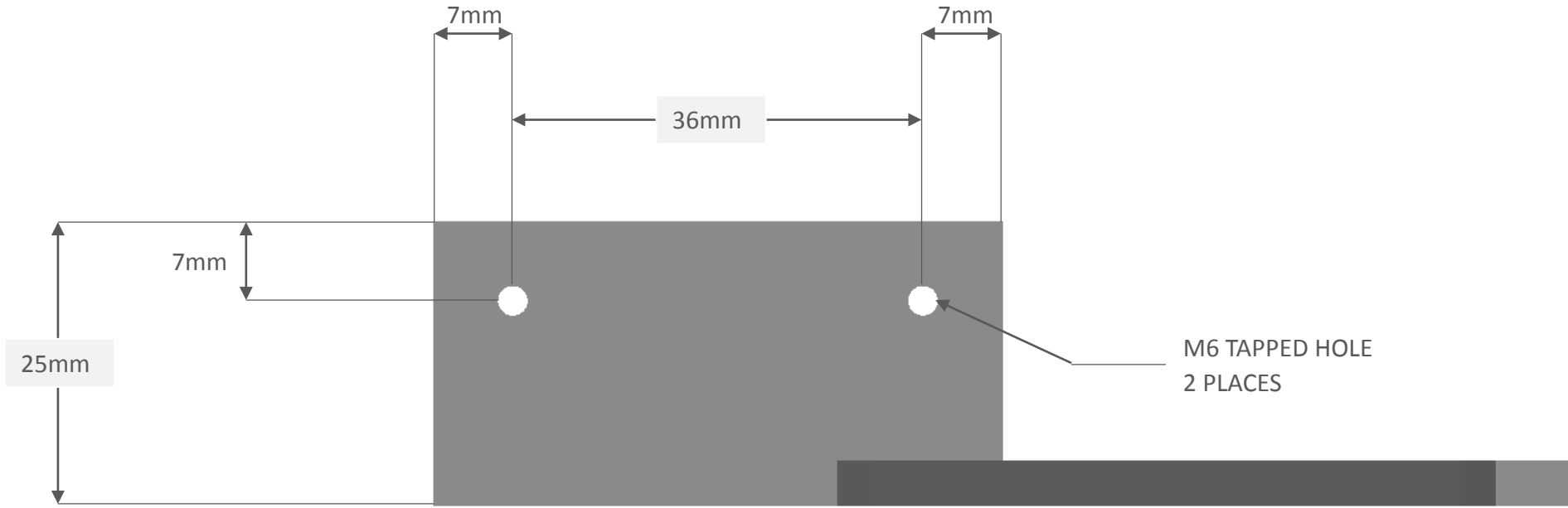


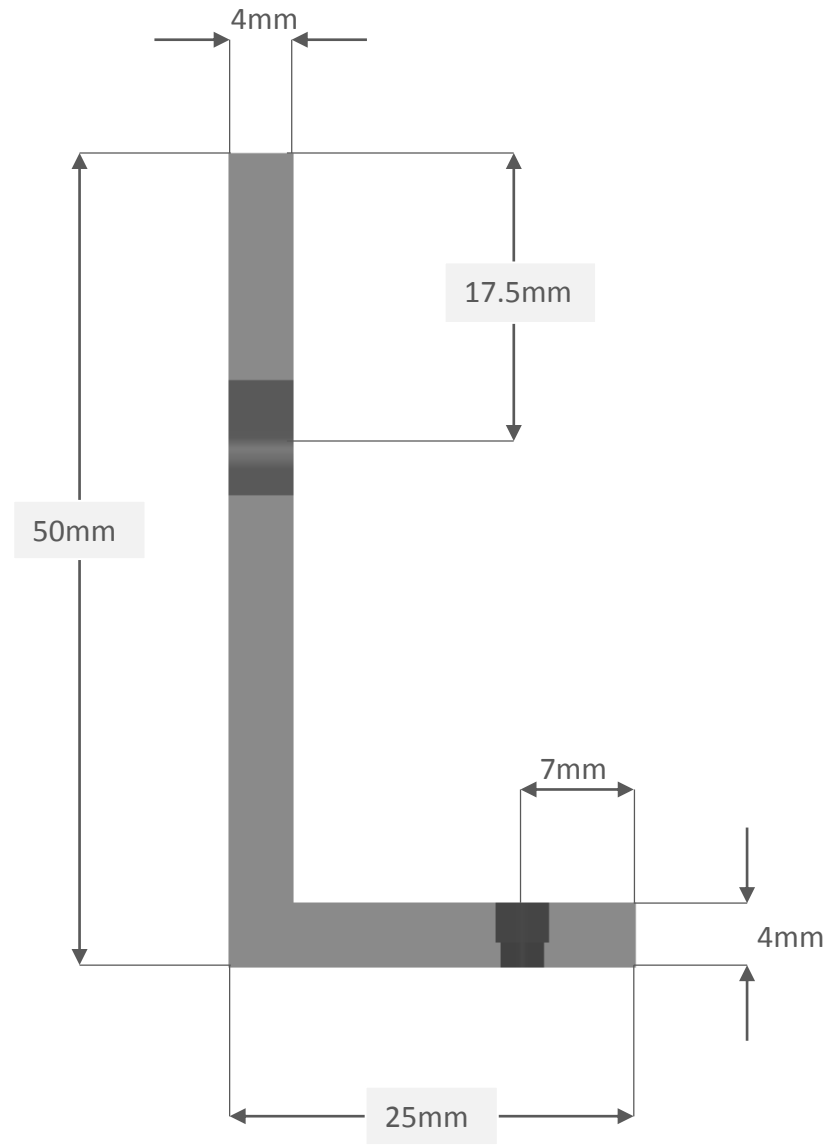
Right Angle Bracket B



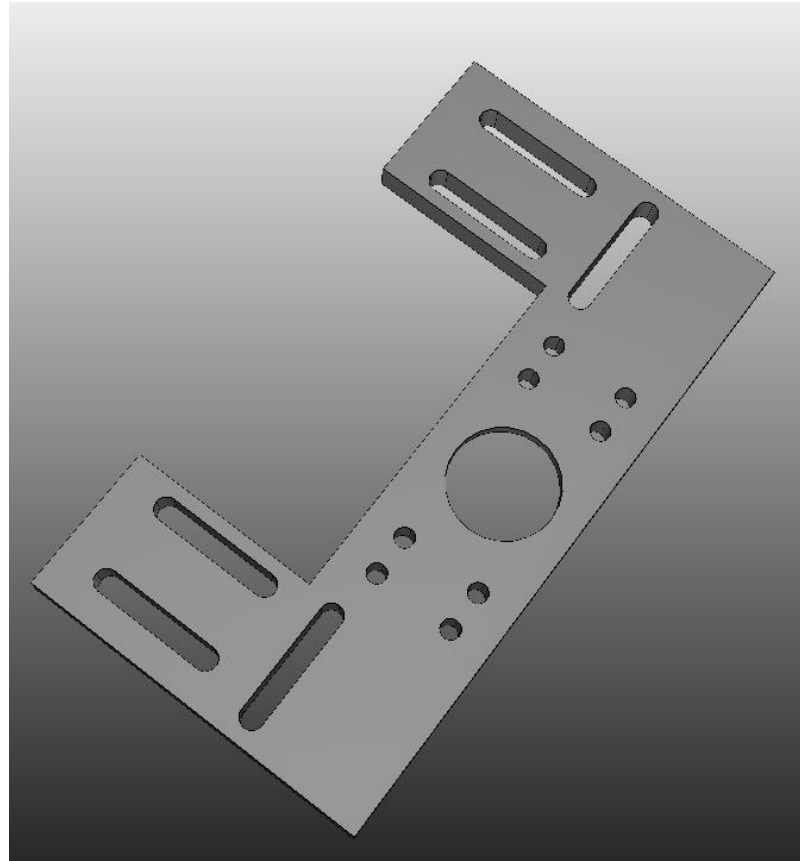
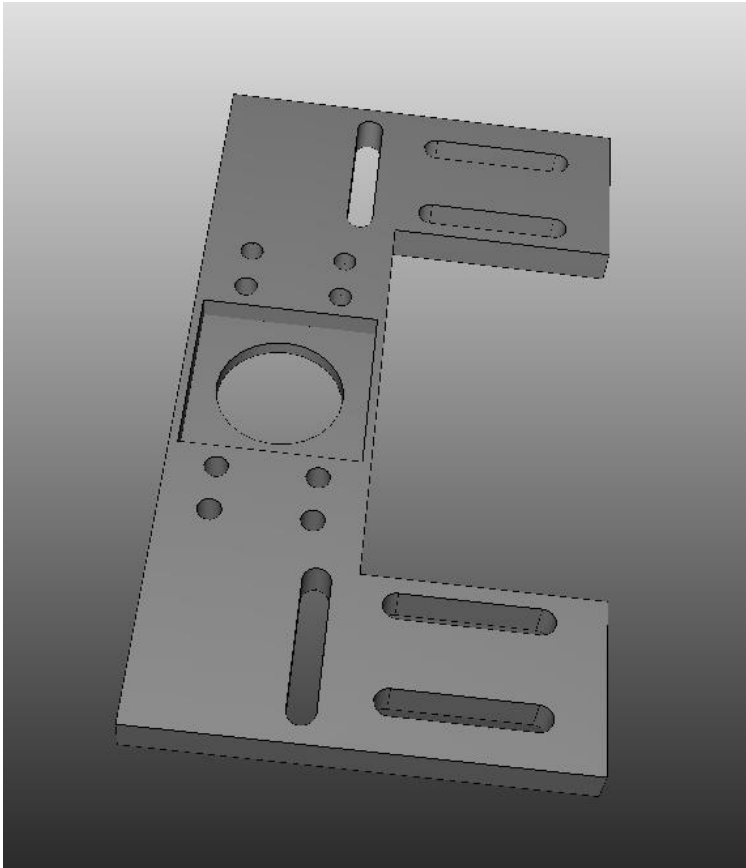


CLEARANCE SLOT
FOR M6 CAP
SCREW 2 PLACES



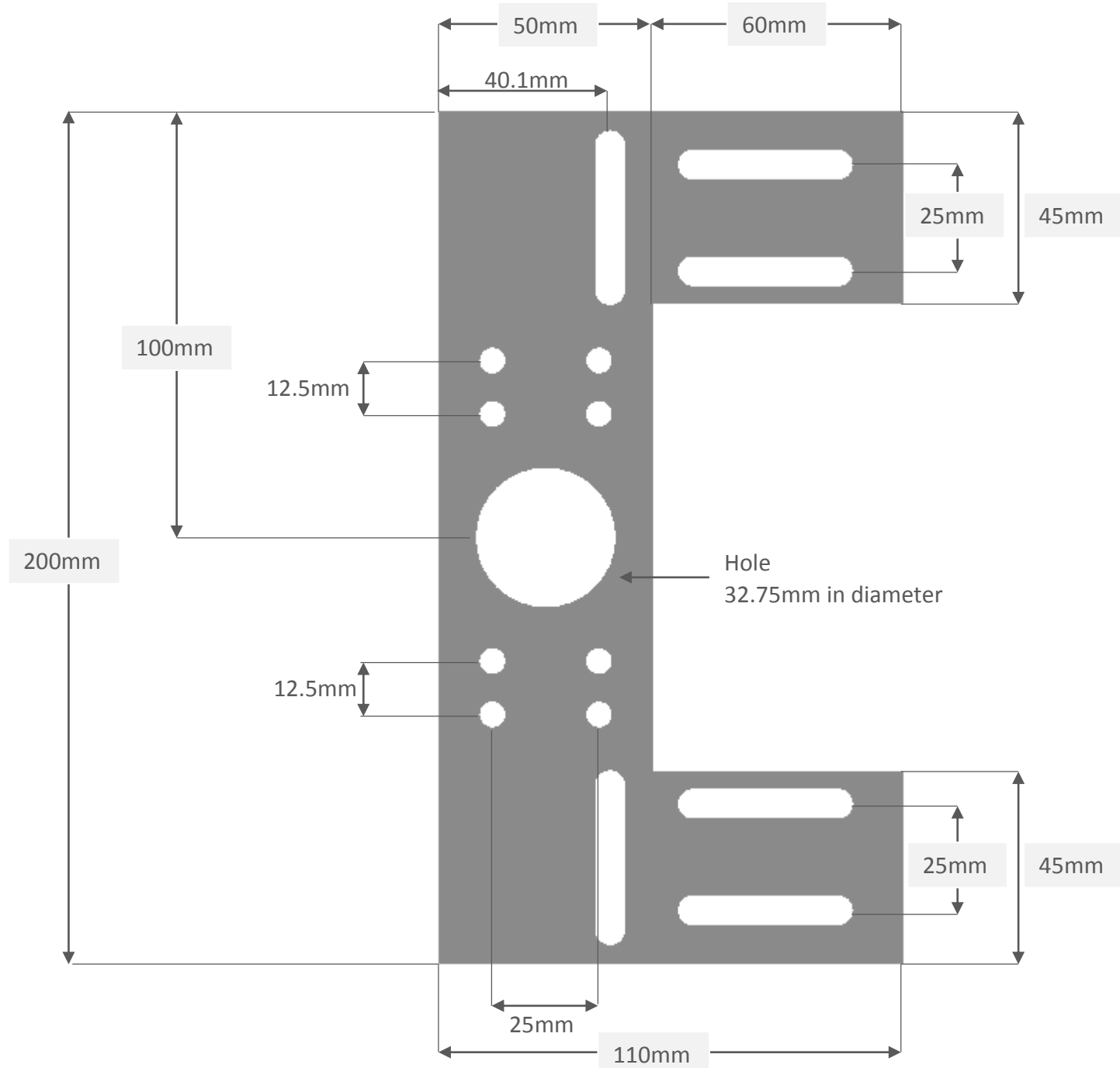


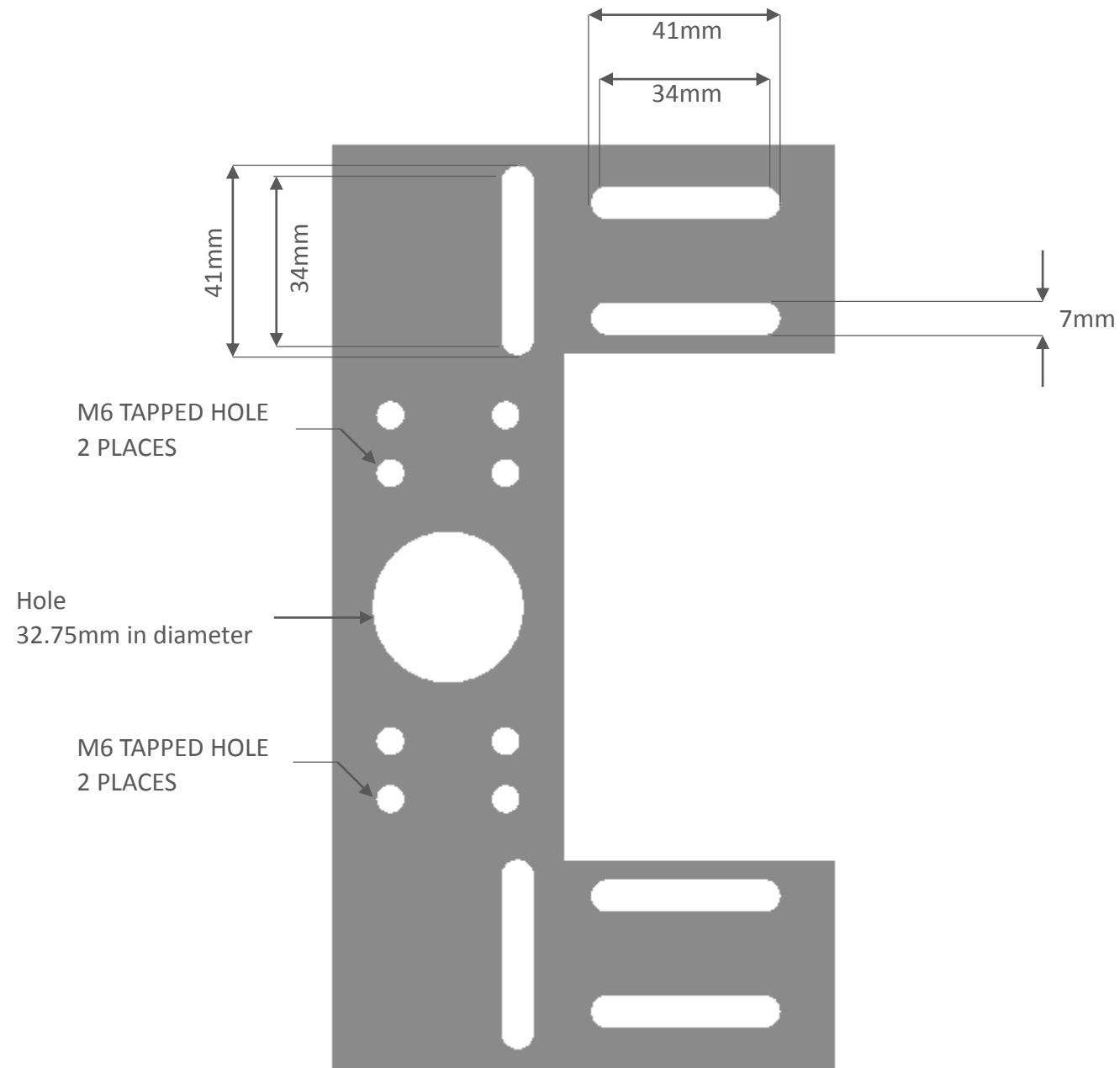
Breadbord detector

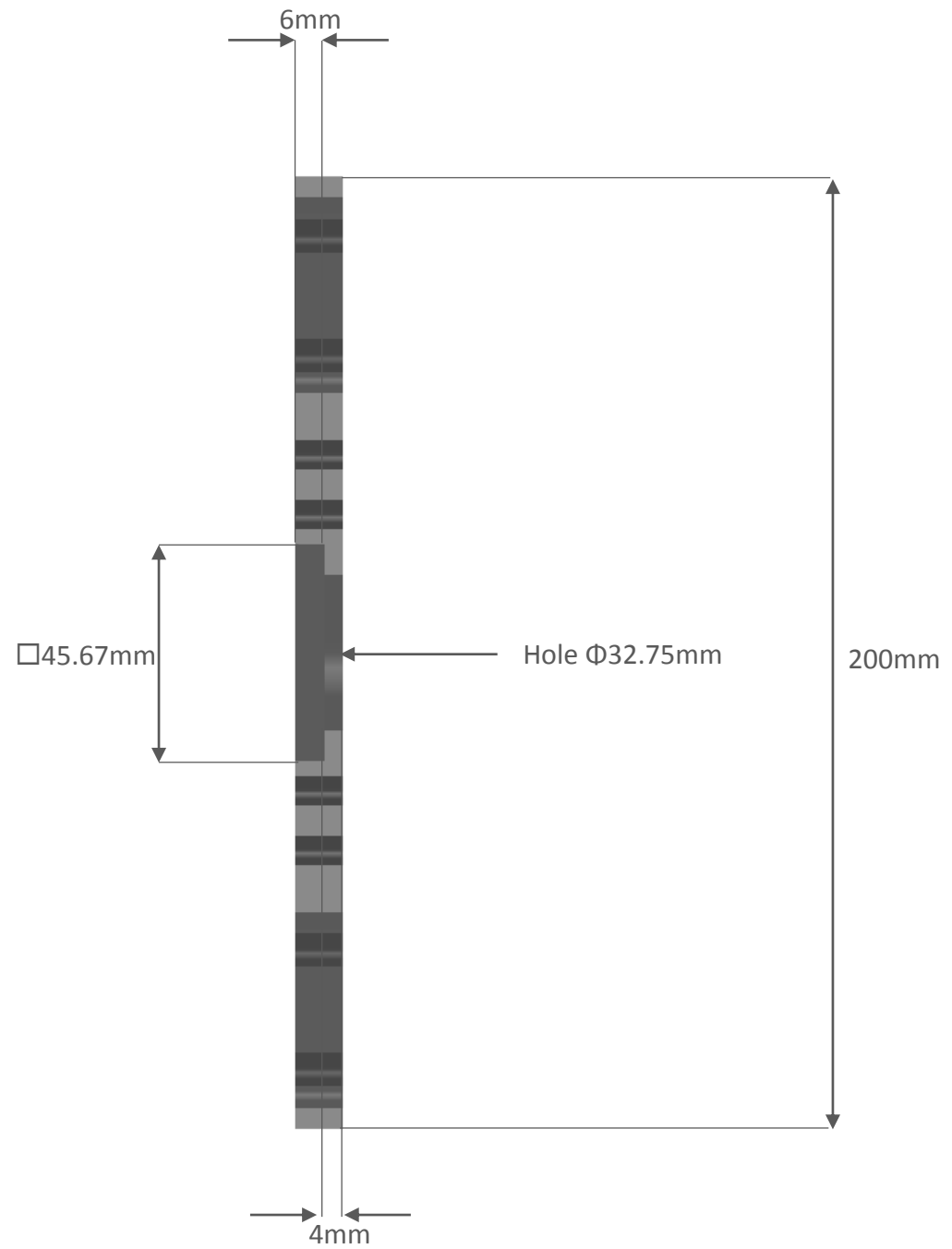


CLEARANCE SLOT
FOR M6 CAP
SCREW 2 PLACES

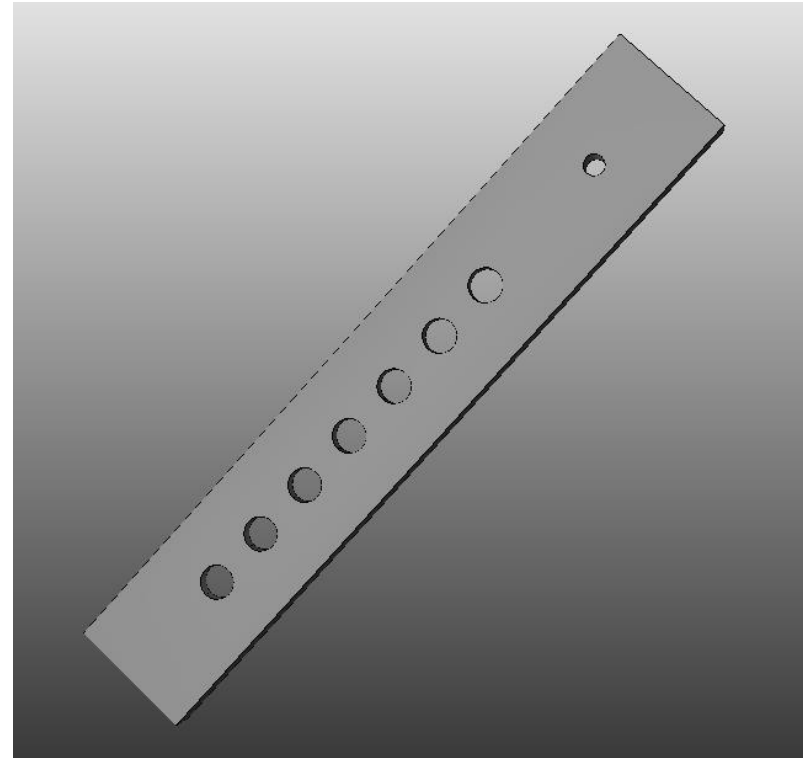
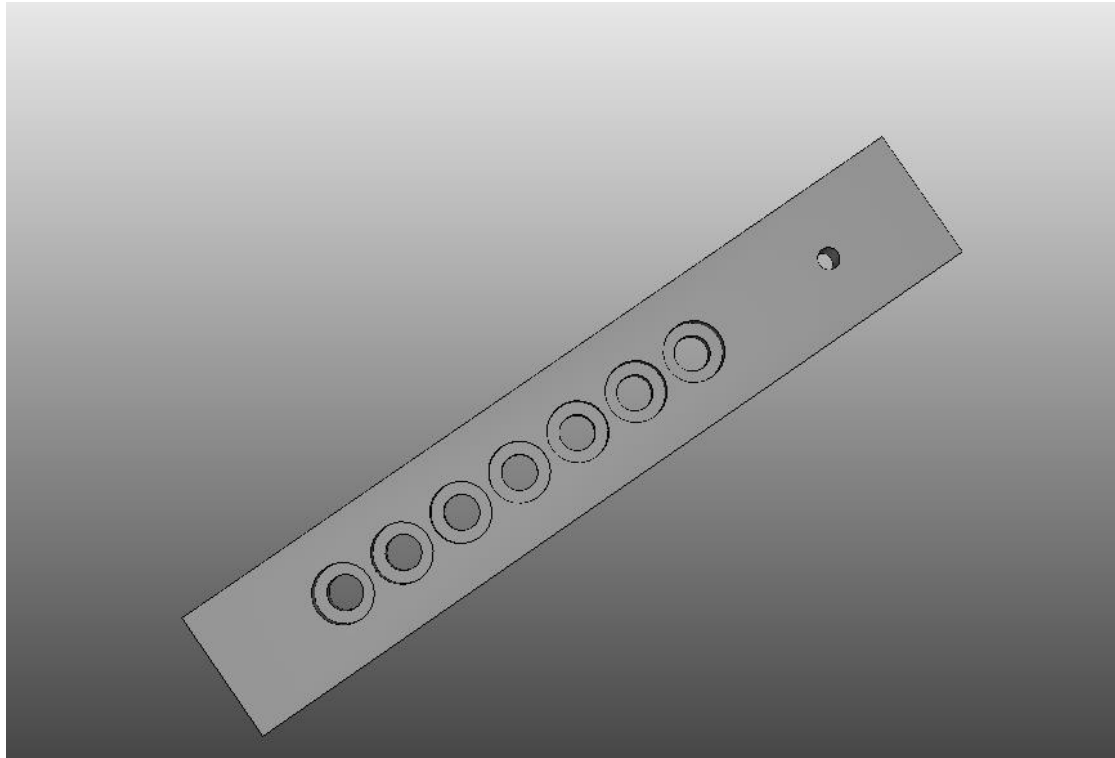
M6 TAPPED HOLE
2 PLACES

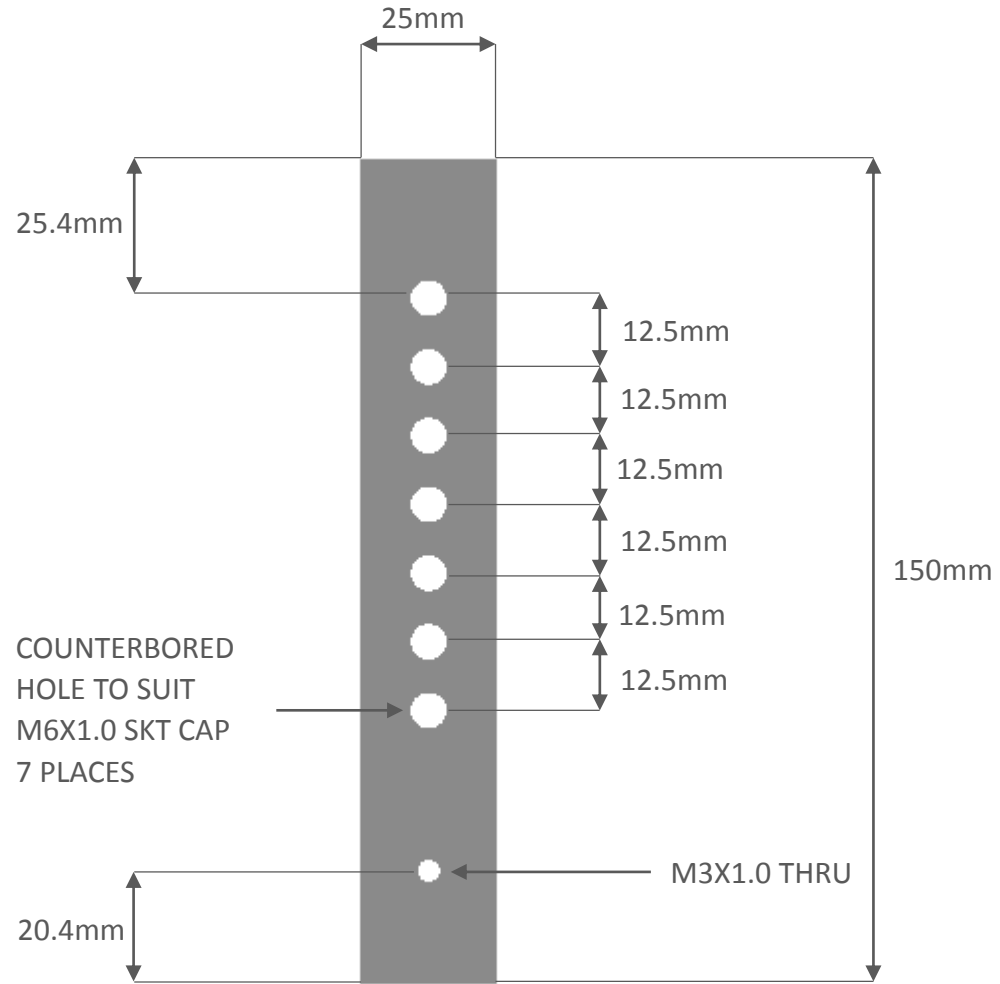


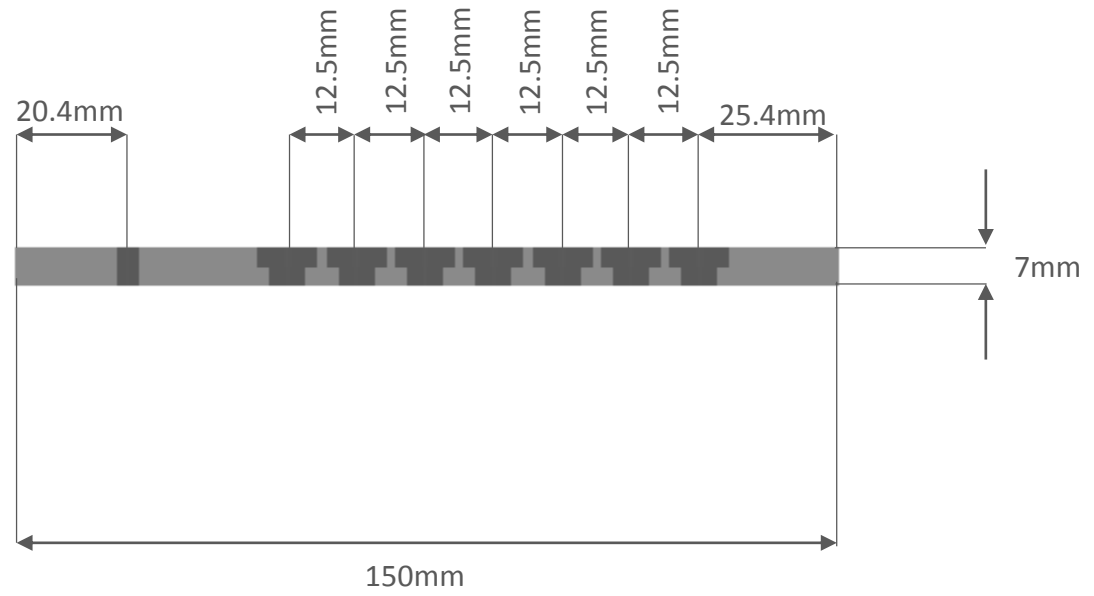




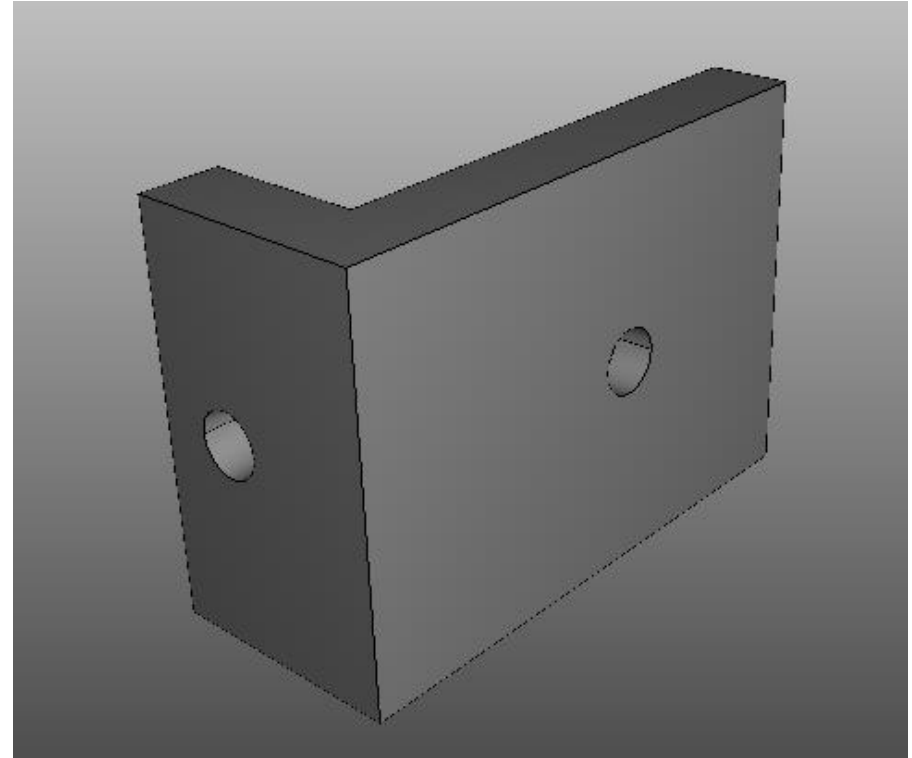
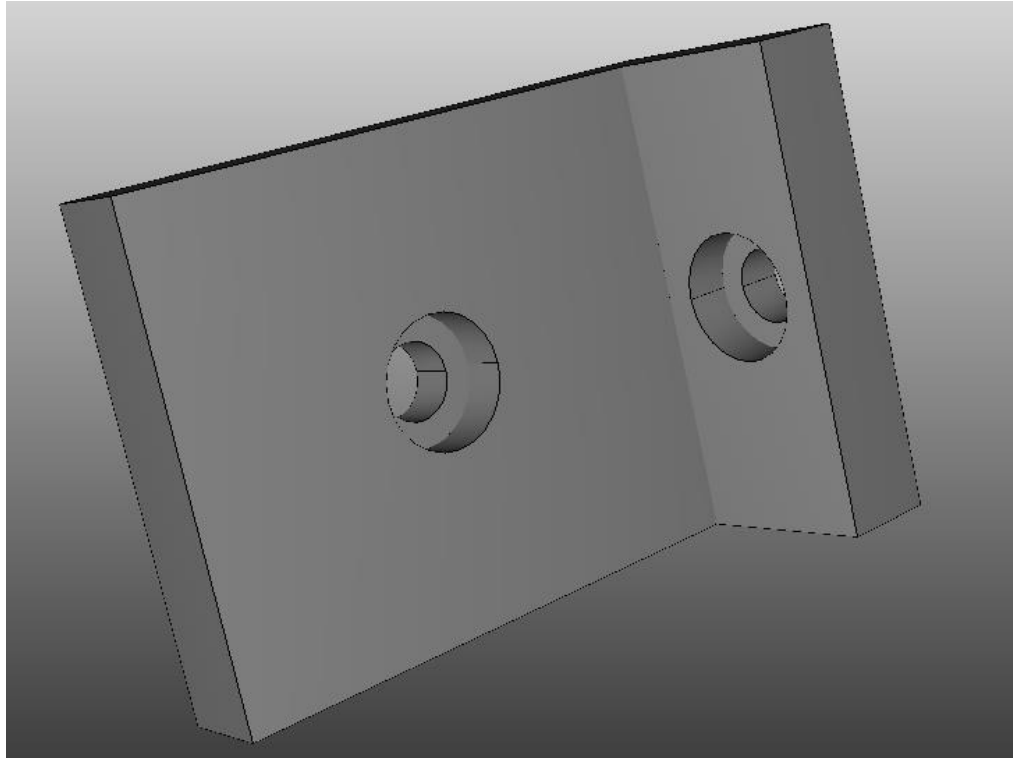
Sample holder adaptative plate

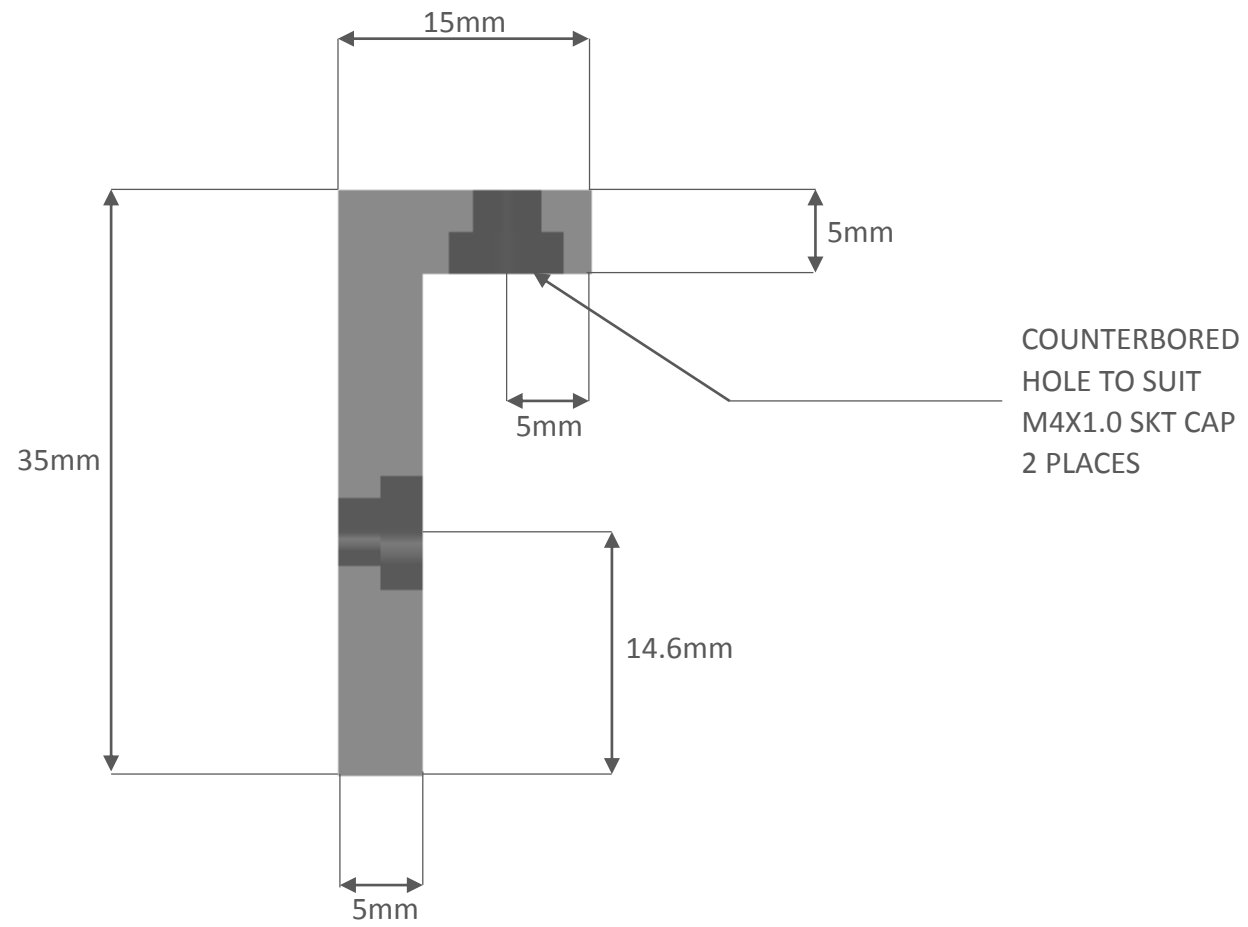


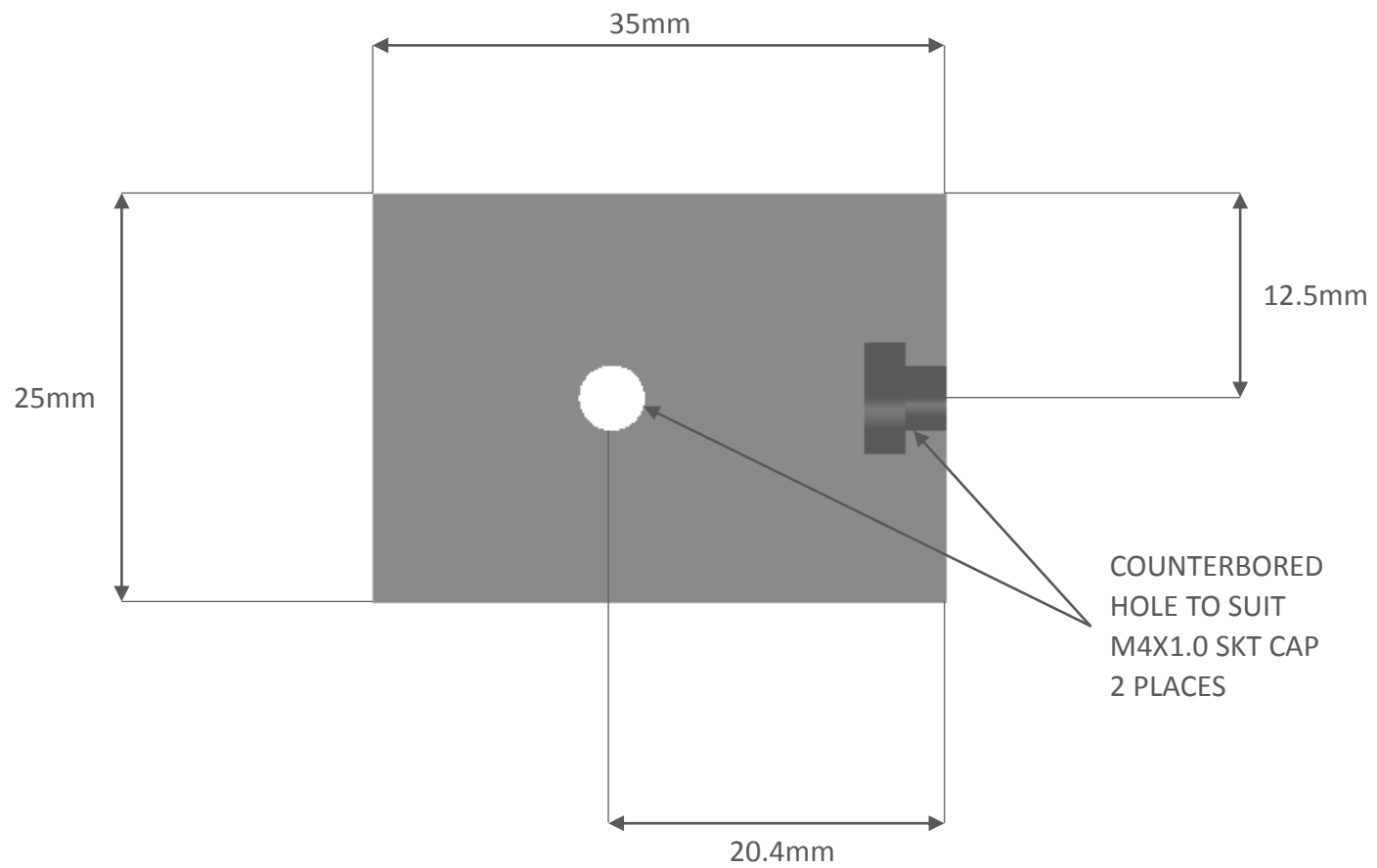


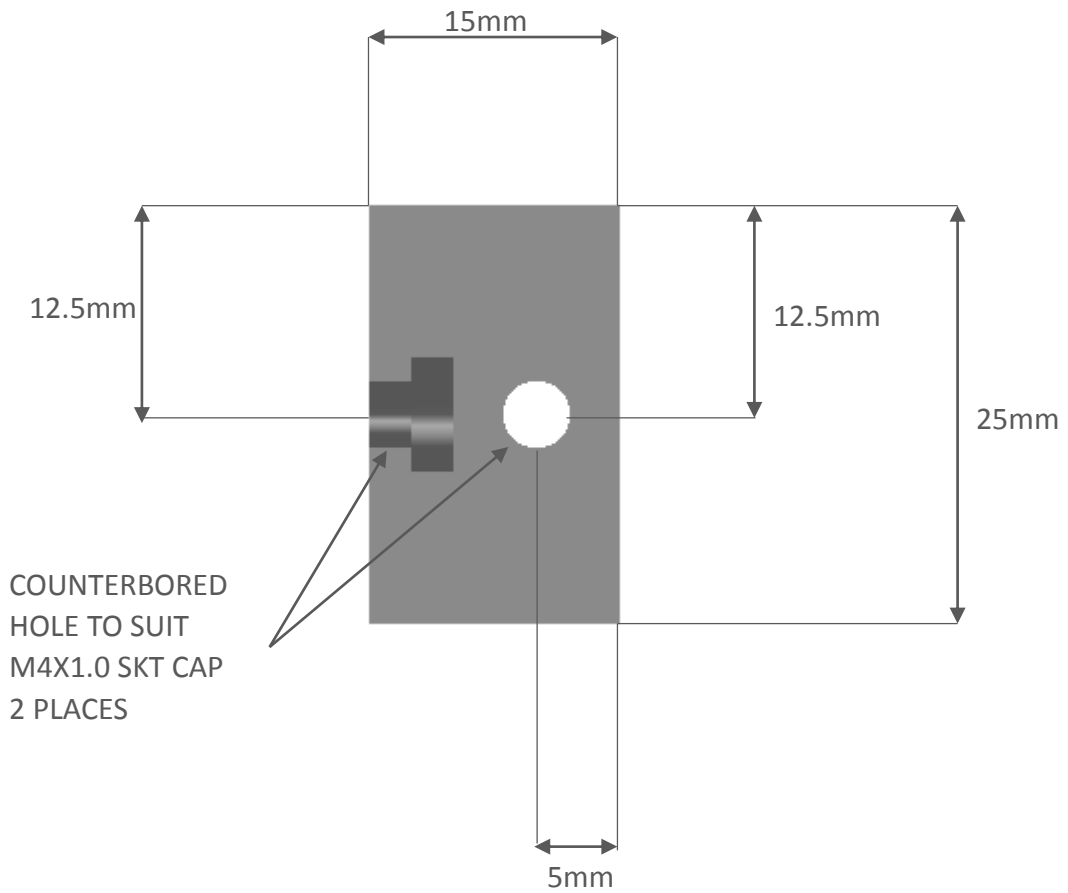


Sample holder Bracket









Rotating stage adapter

