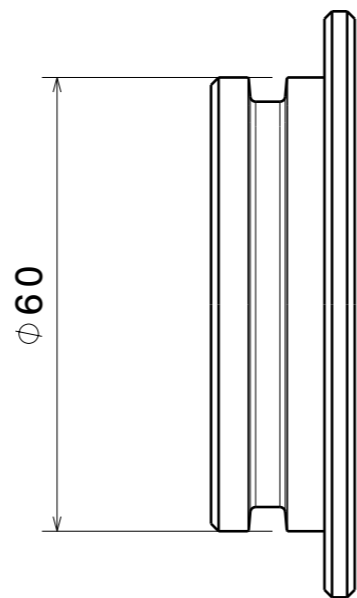
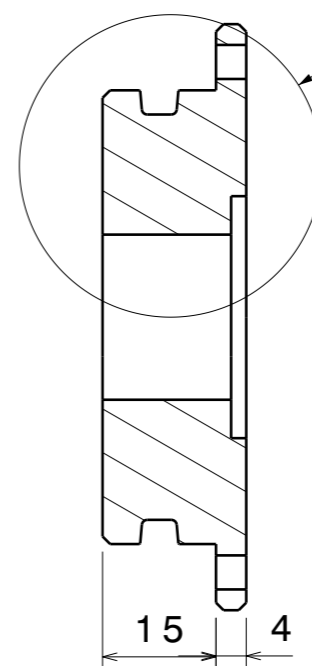


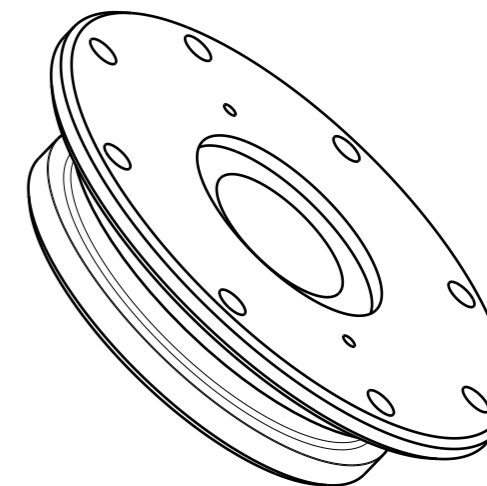
Vue de face



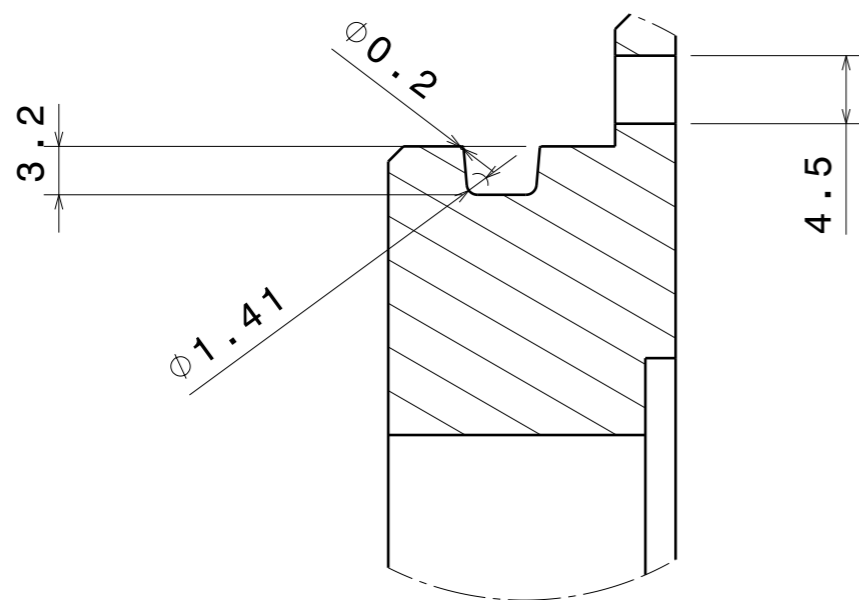
Vue de gauche



Coupe A-A



Vue isométrique



Détail B
Echelle : 2:1

DESIGNED BY: Frontiere Anthony		<h1>Embase Partie Mâle</h1>
DATE: 24/10/2017		
CHECKED BY: XXX		<h2>I.U.T Departement SGM</h2>
DATE: XXX		
SIZE: A3		
SCALE: 1:1	WEIGHT (kg): 0.135	DRAWING NUMBER: 1
		SHEET: 1/1

This drawing is our property; it can't be reproduced or communicated without our written agreement.

I	-
H	-
G	-
F	-
E	-
D	-
C	-
B	-
A	-