

D

C

B

A

4

4

3

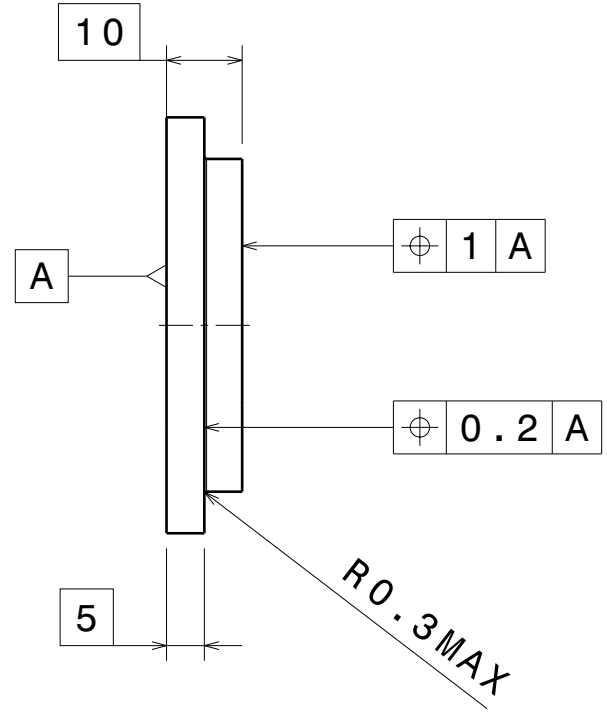
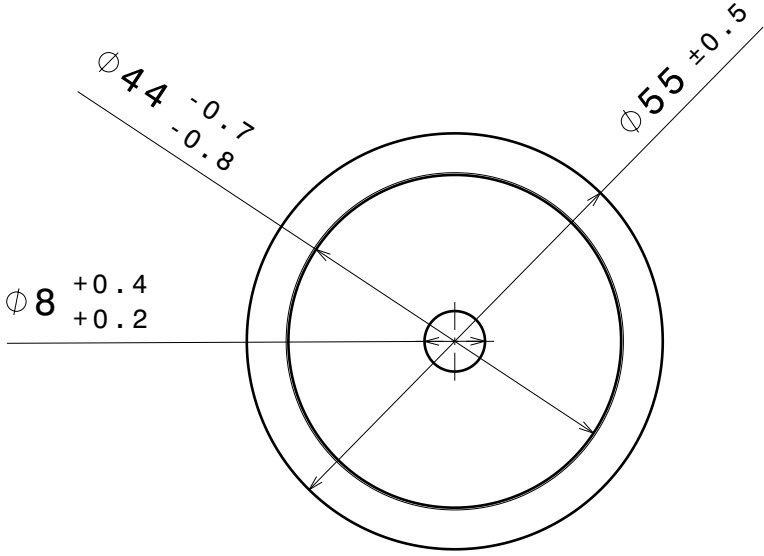
3

2

2

1

1



DESIGNED BY:  
**Romain**  
DATE:  
**19/10/2017**  
CHECKED BY:  
**XXX**  
DATE:  
**XXX**

**Matériau : Acier**  
**Dureté  $\geq 20HRC$**

I	-
H	-
G	-
F	-
E	-
D	-
C	-
B	-
A	-

SIZE  
**A4**

**DASSAULT SYSTEMES**

SCALE  
**1:1**

WEIGHT (kg)  
**0.02**

DRAWING NUMBER  
**Support douille 44**

SHEET  
**1/1**

This drawing is our property; it can't be reproduced or communicated without our written agreement.

D

A