

D

C

B

A

4

4

3

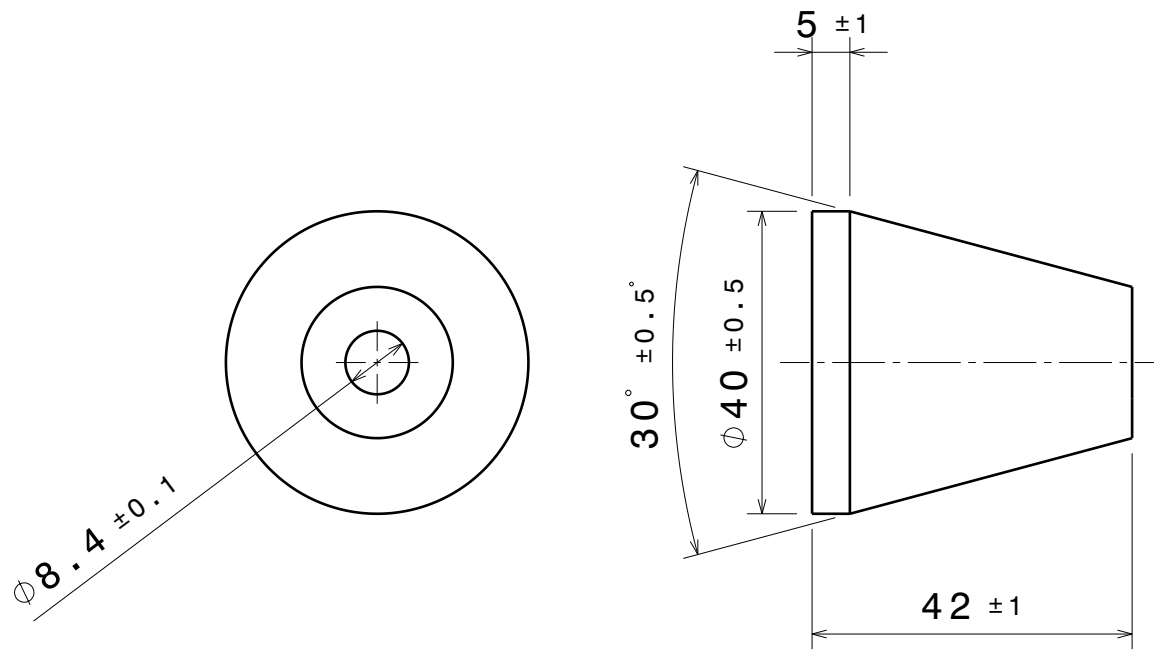
3

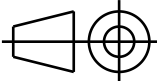
2

2

1

1



DESIGNED BY: Romain	
DATE: 07/11/2017	
CHECKED BY: XXX	
DATE: XXX	
SIZE A4	
SCALE 1:1	WEIGHT (kg) 0.03

Matériau : Acier Dureté \geq 20HRC			
		DASSAULT SYSTEMES	
DRAWING NUMBER Cone		SHEET 1 / 1	

I	-
H	-
G	-
F	-
E	-
D	-
C	-
B	-
A	-

This drawing is our property; it can't be reproduced or communicated without our written agreement.

D

A